



ST802RT1A ST802RT1B

10/100 real-time Ethernet 3.3 V transceiver

Features

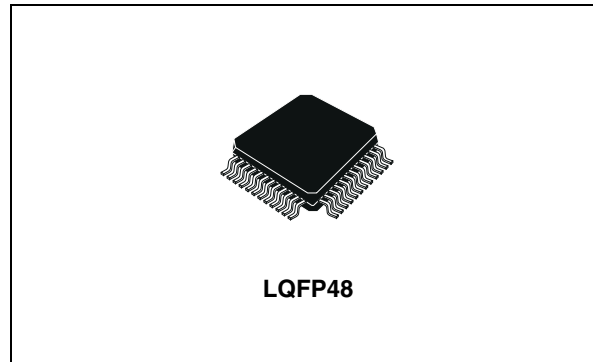
- IEEE802.3 10Base-T and IEEE802.3u 100Base-TX, 100Base-FX (ST802RT1B only) transceiver
- Support for IEEE802.3x flow control
- Provides full-duplex operation in both 100 Mbps and 10 Mbps modes
- Register bit strap during HW reset
- Auto MDI-X for 10/100 Mb/s
- Auto-negotiation
- Provides loop-back mode for diagnostics
- Programmable LED display for operating mode and functionality signaling
- MII / RMI interface
- MDC / MDIO serial management interface
- Optimized deterministic latency for real-time Ethernet operation
- Supports external transformer with turn ratio 1.414:1 on Tx/Rx side
- Self-termination transceiver for external components and power saving
- Operation from single 3.3 V supply
- High ESD tolerance
- 48-pin LQFP 7 x 7 package
- Extended temp. range: -40 °C to +105 °C
- Power dissipation < 315 mW (typ)

Applications

- Industrial control
- Factory automation
- High-end peripherals

Table 1. Device summary

Order codes	Temperature range	Package
ST802RT1AFR	- 40 to 105 °C	LQFP48
ST802RT1BFR	- 40 to 105 °C	LQFP48



- Building automation
- Telecom infrastructure

Description

The ST802RT1x is a high-performance fast Ethernet physical layer interface for 10Base-T, 100Base-TX and 100Base-FX applications. It is designed using advanced CMOS technology to provide MII and RMI interfaces for easy attachment to 10/100 media access controllers (MAC). The ST802RT1x supports the 100Base-TX of IEEE802.3u and 10Base-T of IEEE802.3i and 100Base FX of IEEE 802.3u (B version only). The ST802RT1x supports both half-duplex and full-duplex operation at 10 and 100 Mbps operation. Its operating mode can be set using auto-negotiation, parallel detection or manual control. It allows for the support of auto-negotiation functions for speed and duplex detection. The automatic MDI / MDIX feature compensates for the use of a crossover cable. With auto MDIX, the ST802RT1x automatically detects what is on the other end of the network cable and switches the TX & RX pin functionality accordingly.

Contents

- 1 Features 6**
 - 1.1 Physical layer 6
 - 1.2 LED display 6
 - 1.3 Package 6
- 2 Device block diagram 7**
- 3 System and block diagrams 8**
- 4 Pin configuration 9**
- 5 Pin description 11**
- 6 Registers and descriptors description 17**
 - 6.1 Register list 17
 - 6.2 Register description 18
- 7 Device operation 38**
 - 7.1 100Base-TX transmit operation 38
 - 7.2 100Base-TX receive operation 39
 - 7.3 10Base-T transmit operation 40
 - 7.4 10Base-T receive operation 40
 - 7.5 Loop-back operation 40
 - 7.6 Full-duplex and half-duplex operation 40
 - 7.7 Auto-negotiation operation 40
 - 7.8 Power-down / interrupt 41
 - 7.9 Power-down operation 41
 - 7.10 Interrupt mechanisms 41
 - 7.11 LED display operation 42
 - 7.12 Reset operation 43
 - 7.13 Preamble suppression 43
 - 7.14 Remote fault 43
 - 7.15 Transmit isolation 44



7.16	Automatic MDI / MDIX feature	44
7.17	RMII interface	44
7.18	FX mode operation	45
7.19	FX operation detect circuit	45
7.20	PECL transmitter	46
7.21	PECL receiver	47
7.22	Far-end-fault	48
7.23	MII management interface	48
8	Electrical specifications and timings	49
9	Package mechanical data	53
10	Revision history	57

List of tables

Table 1.	Device summary	1
Table 2.	Pin description of the ST802RT1x	11
Table 3.	Abbreviations	12
Table 4.	Pin functions of the ST802RT1x	13
Table 5.	Signal detect	16
Table 6.	MII_CFG0, MII_CFG1 configuration	16
Table 7.	Auto-negotiation advertisement register	16
Table 8.	List of registers	17
Table 9.	Abbreviations	18
Table 10.	RN00 [0d00, 0x00]: Control register	18
Table 11.	RN01 [0d01, 0x01]: Status register	21
Table 12.	RN02 [0d02, 0x02]: PHY identifier register Hi	22
Table 13.	RN03 [0d03, 0x03]: PHY identifier register Lo	22
Table 14.	RN04 [0d04, 0x04]: Auto-negotiation advertisement register	23
Table 15.	RN05 [0d05, 0x05]: Auto-negotiation link partner ability register	24
Table 16.	RN06 [0d06, 0x06]: Auto-negotiation expansion register	25
Table 17.	RN07 [0d07, 0x07]: Auto-negotiation next page transmit register	26
Table 18.	RN08 [0d08, 0x08]: Auto-negotiation link partner received next page register	26
Table 19.	RN10 [0d16, 0x10]: RMII-TEST control register	27
Table 20.	RN11 [0d17, 0x11]: Receiver configuration information and interrupt status register	28
Table 21.	RN12 [0d18, 0x12]: Receiver event interrupts register	29
Table 22.	RN13 [0d19, 0x13]: 100Base-TX control register	30
Table 23.	RN14 [0d20, 0x14]: Receiver mode control register	30
Table 24.	RN18 [0d24, 0x18]: Auxiliary control register	31
Table 25.	RN19 [0d25, 0x19]: Auxiliary status register	31
Table 26.	RN1B [0d27, 0x1B]: Auxiliary mode 2 register	33
Table 27.	RN1C [0d28, 0x1C]: 10Base-T error and general status register	34
Table 28.	RN1E [0d30, 0x1E]: Auxiliary PHY register	35
Table 29.	RN1F [0d31, 0x1F]: Shadow registers enable register	36
Table 30.	RS1B [0d27, 0x1B]: Misc status/error/test shadow register	37
Table 31.	LED configuration	42
Table 32.	Configuration of signal detect voltage levels	46
Table 33.	Management frame format	48
Table 34.	Absolute maximum ratings	49
Table 35.	General DC specification	49
Table 36.	LQFP48 mechanical data	54
Table 37.	Document revision history	57

List of figures

Figure 1.	ST802RT1x block diagram	7
Figure 2.	System diagram of the ST802RT1A/B	8
Figure 3.	System diagram of the ST802RT1B in FX mode	8
Figure 4.	Pin configuration - ST802RT1A	9
Figure 5.	Pin configuration - ST802RT1B	10
Figure 6.	LED connections	42
Figure 7.	Transmit isolation	44
Figure 8.	PECL levels	46
Figure 9.	Implementation of the PECL TX section	47
Figure 10.	Implementation of the PECL RX section	47
Figure 11.	Normal link pulse timings	51
Figure 12.	Fast link pulse timing	51
Figure 13.	MII management clock timing	52
Figure 14.	Dimensions of the LQFP48 package	55
Figure 15.	LQFP48 footprint recommended data (mm.)	56

1 Features

1.1 Physical layer

- The ST802RT1x integrates the entire physical layer functions of 100Base-TX, 10Base-T and 100Base-FX (B version only)
- Optimized deterministic latency for real-time Ethernet operation
- Provides full-duplex operation in both 100 Mbps and 10 Mbps modes
- Provides auto-negotiation (NWAY) function of full/half-duplex operation for both 10 and 100 Mbps
- Provides MLT-3 transceiver with DC restoration for base-line wander compensation
- Provides transmit wave-shaper, receive filters, and adaptive equalizer
- Provides loop-back modes for diagnostics
- Built-in stream cipher scrambler/ de-scrambler and 4B/5B encoder/decoder
- Supports external transformer with a turn ratio of 1.414:1

1.2 LED display

The ST802RT1x supports three configurable light emitting diode (LED) pins. The three supported LED configurations are: link, speed, activity and collision. Functions are multiplexed among the LEDs according to the LED mode selected through bit 9 of the Auxiliary mode 2 register (RN1B[9]). Since these LED pins are also used as strap options, the polarity of the LED is dependent on whether the pin is pulled up or down.

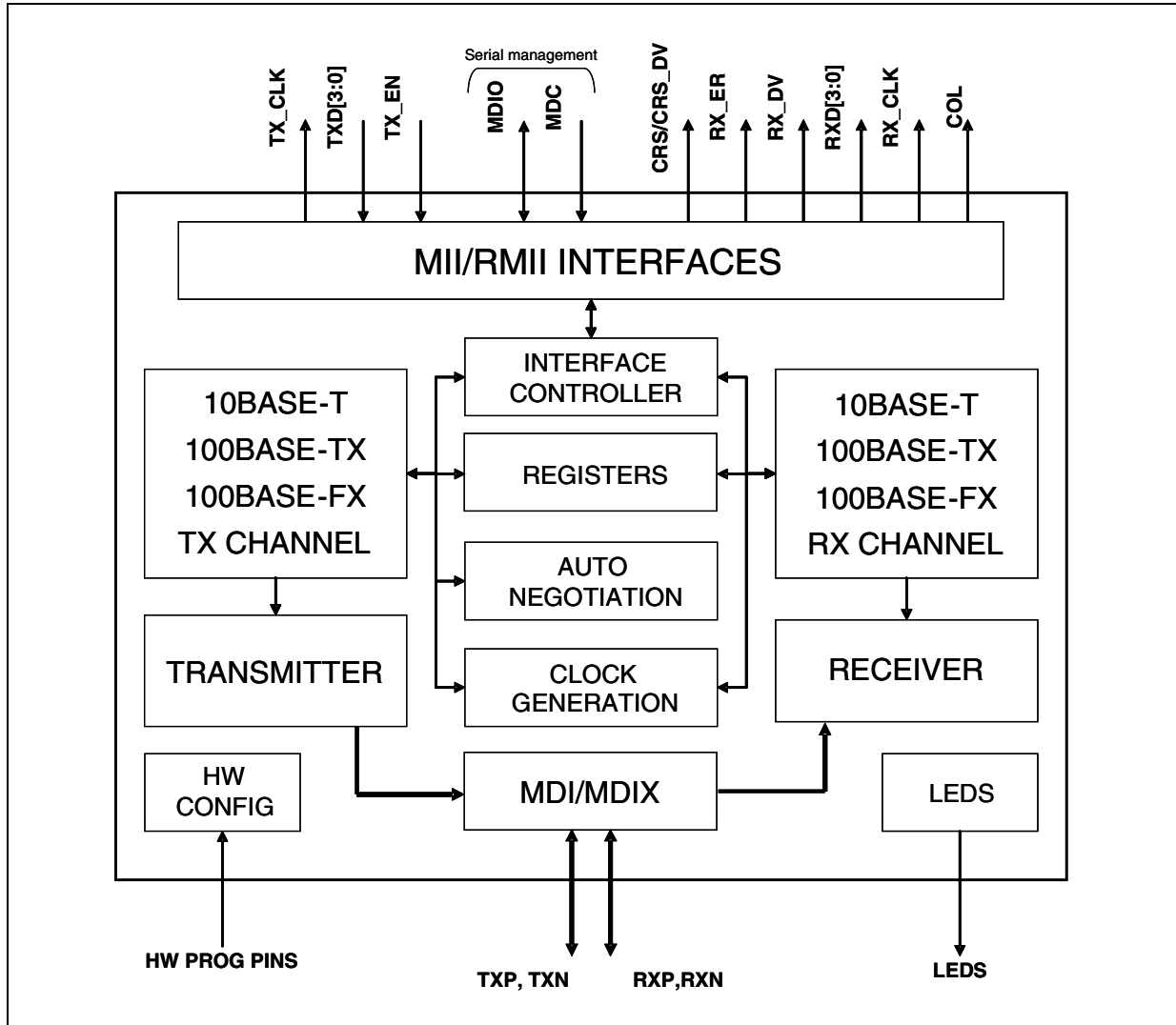
See [Table 26](#) and paragraph [7.11](#) for more details of LED mode selection.

1.3 Package

- 48-pin LQFP (7 x 7 mm.).

2 Device block diagram

Figure 1. ST802RT1x block diagram



3 System and block diagrams

Figure 2. System diagram of the ST802RT1A/B

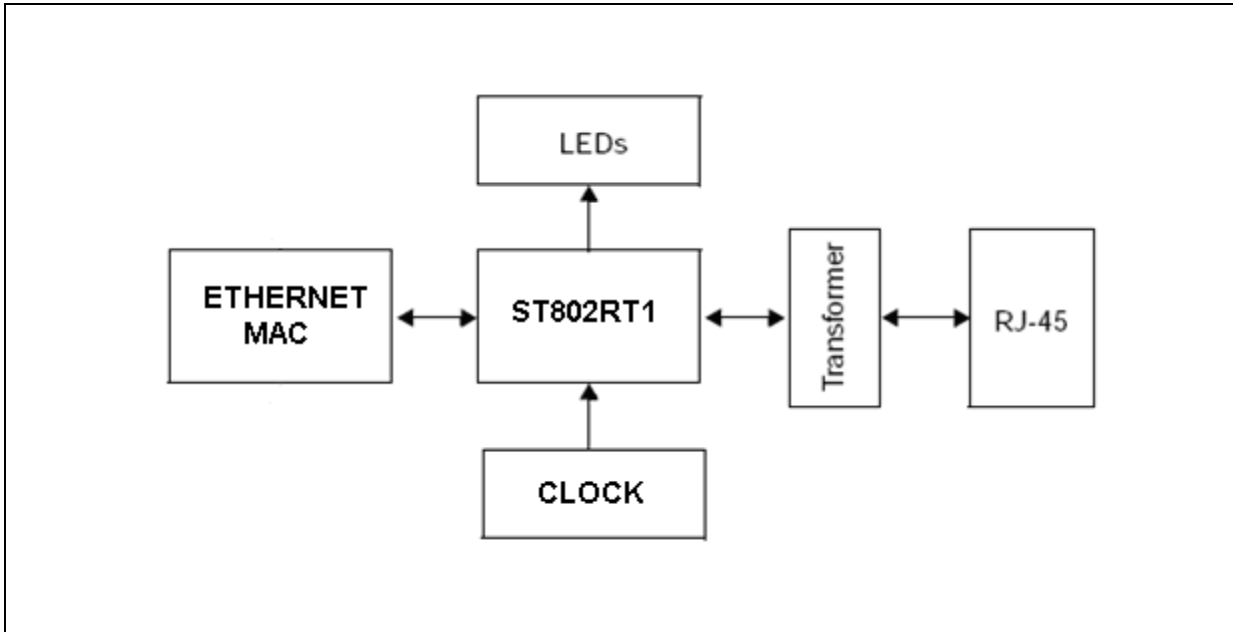
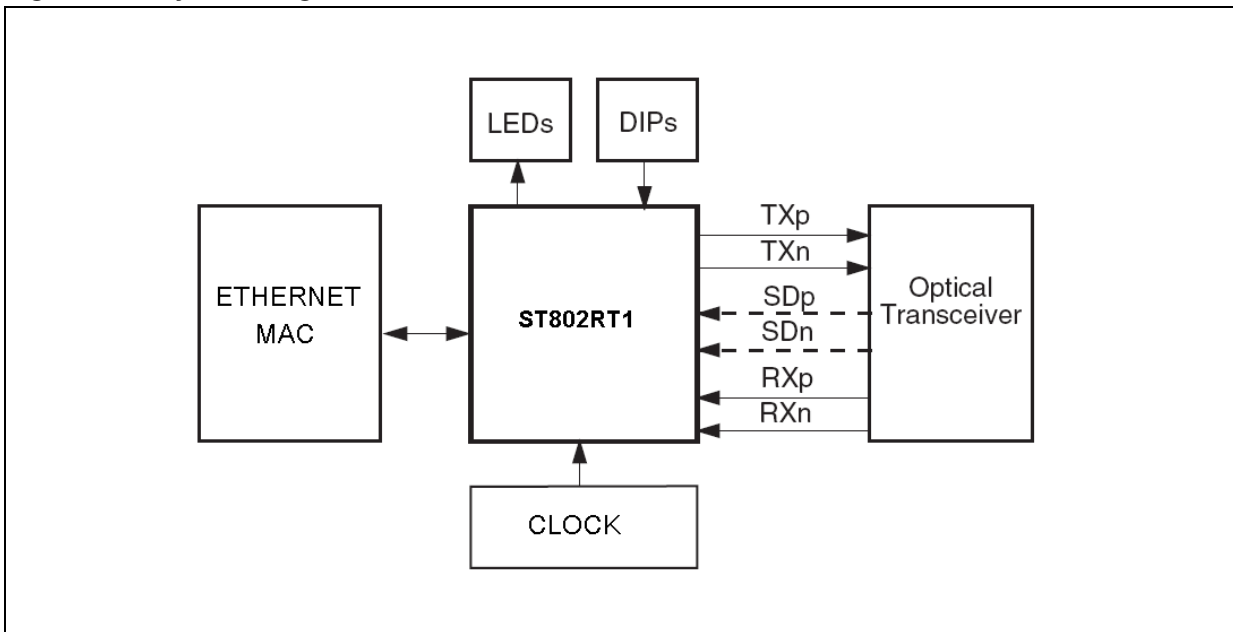


Figure 3. System diagram of the ST802RT1B in FX mode



4 Pin configuration

Figure 4. Pin configuration - ST802RT1A

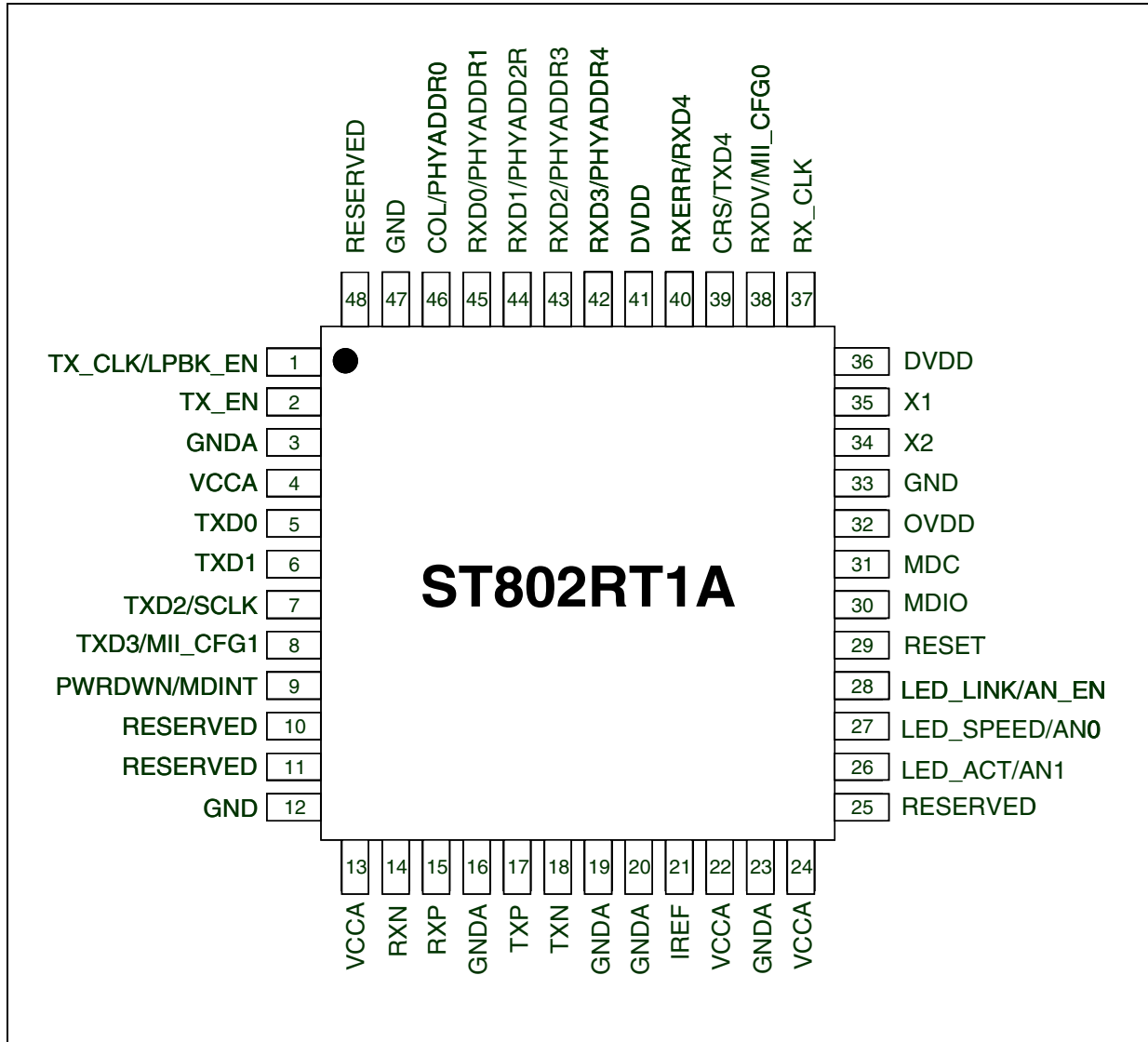
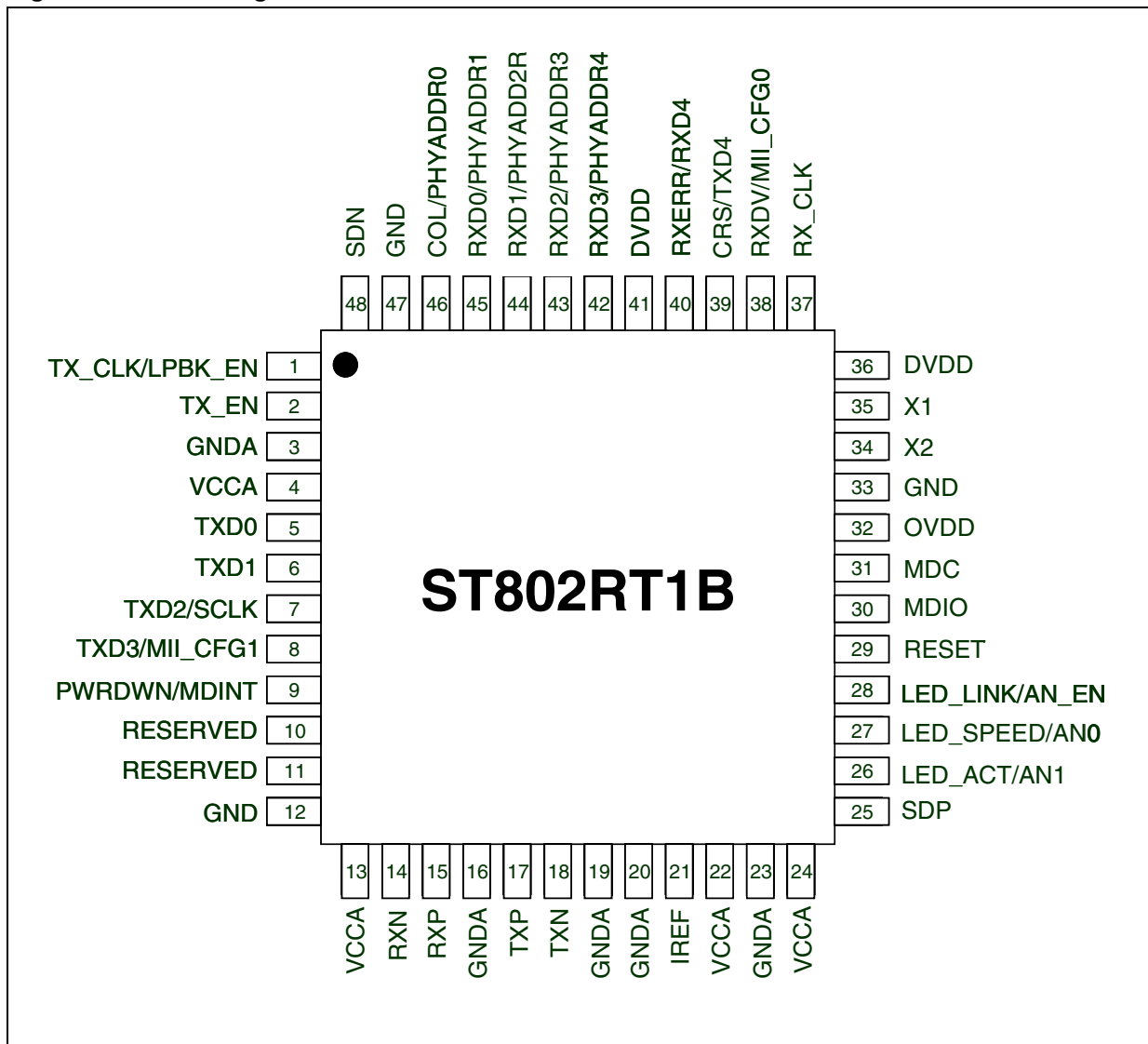


Figure 5. Pin configuration - ST802RT1B



5 Pin description

Table 2. Pin description of the ST802RT1x

Pin n° ST802RT1x	Name	Type	Description
1	TX_CLK/LPBK_EN	O, S, PD	MII transmit clock
2	TX_EN	I, PD	MII transmit enable
3	GNDA	Ground	Analog ground
4	VCCA	Supply	Analog power supply
5	TXD0	I	Transmit data (MII/RMII)
6	TXD1	I	Transmit data (MII/RMII)
7	TXD2/SCLK	I	Transmit data (MII), RMII clock (50 Mhz)
8	TXD3/MII_CFG1	I, S, PD	Transmit data (MII) / multi-function pin
9	PWRDWN/MDINT	I, PU, OD	Power-down/management data interrupt
10	RESERVED	I, PD	To be set to digital ground
11	RESERVED	I, PD	To be set to digital ground
12	GND	Ground	Digital ground
13	VCCA	Supply	Analog power supply
14	RXN	I, O	Differential receive inputs
15	RXP	I, O	Differential receive inputs
16	GNDA	Ground	Analog ground
17	TXP	I, O	Differential transmit outputs
18	TXN	I, O	Differential transmit outputs
19	GNDA	Ground	Analog ground
20	GNDA	Ground	Analog ground
21	IREF	I/O	Reference resistor/ DC regulator output (bias resistor)
22	VCCA	Supply	Analog power supply
23	GNDA	Ground	Analog ground
24	VCCA	Supply	Analog power supply
25	RESERVED	-	Not used in the ST802RT1A
	SDP	I	Positive signal detect for 100Base-FX operation (ST802RT1B only)
26	LED_ACT/AN_1	O, S, PU	Activity/full-duplex/collision led
27	LED_SPEED/AN_0	O, S, PU	Speed LED
28	LED_LINK/AN_EN	O, S, PU	Link LED
29	RESET	I	Reset (active-low)
30	MDIO	I/O, PU	Management data input/output
31	MDC	I	Management data clock

Table 2. Pin description of the ST802RT1x (continued)

Pin n° ST802RT1x	Name	Type	Description
32	OVDD	Supply	IO ring power supply (3.3 V)
33	GND	Ground	Analog ground
34	X2	O	Xtal out
35	X1	I	Xtal in (25 MHz)
36	DVDD	Supply	Digital power (3.3 V)
37	RX_CLK	O	MII receive clock
38	RXDV/MII_CFG0	O, S, PD	Receive data valid (MII: RXDV, RMII: CRSDV) / multi-function pin
39	CRS_TXD4	O	MII carrier sense / transmit data 4
40	RXER_RXD4	O	Receive error / receive data 4
41	DVDD	Supply	Digital power (3.3 V)
42	RXD3/PHYADDR4	O, S, PD	Receive data (MII)/Phy4
43	RXD2/PHYADDR3	O, S, PD	Receive data (MII)/Phy3
44	RXD1/PHYADDR2	O, S, PD	Receive data (MII/RMII)/Phy2
45	RXD0/PHYADDR1	O, S, PD	Receive data (MII/RMII)/Phy1
46	COL/PHYADDR0	O, S, PU	MII collision detection/Phy0
47	GND	Ground	Ground
48	RESERVED	-	Not used in the ST802RT1A
	SDN	I	Negative signal detect (100Base-FX only)

Table 3. Abbreviations

Legend	Description
I	Input
O	Output
I/O	Input/output
S	Strap option
OD	Open drain
PD	Pull-down
PU	Pull-up

Table 4. Pin functions of the ST802RT1x

Pin n°	Name	Type	Function
Data interface			
5 6 7 8	TXD0 TXD1 TXD2 TXD3	I	Transmit data. The media access controller (MAC) drives data to the ST802RT1x using these inputs. txd0 = MII/RMII tx data txd1 = MII/RMII tx data txd2/txd3 = MII tx data
7	SCLK	I	RMII clock (50 Mhz)
2	TX_EN	I, PD	MII transmit enable. The MAC asserts this signal when it drives valid data on the txd inputs.
1	TX_CLK	O, PD	MII transmit clock. Normally the ST802RT1x drives tx_clk. 25 MHz for 100 Mbps operation 2.5 MHz for 10 Mbps operation
40	RXER	O	Receive error. The ST802RT1x asserts this output when it receives invalid symbols from the network.
42 43 44 45	RXD3 RXD2 RXD1 RXD0	O, PD	Receive data. The ST802RT1x drives received data on these outputs. rxd0 = MII/RMII rx data rxd1 = MII/RMII rx data rxd2/rxd3 = MII rx data
38	RXDV / CRSDV	O, PD	Receive data valid. (MII = RXDV, RMII = CRSDV). The ST802RT1x asserts this signal when it drives valid data on rxd.
37	RX_CLK	O	MII receive clock. This continuous clock provides reference for rxd, rx_dv, and rx_er signals. 25 MHz for 100 Mbps operation. 2.5 MHz for 10 Mbps operation.
46	COL	O	MII collision detection. The ST802RT1x asserts this output when detecting a collision. This output remains high for the duration of the collision. This signal is asynchronous and inactive during full-duplex operation.
39	CRS	O	MII carrier sense. During half-duplex operation (RN00[8]=0), the ST802RT1x asserts this output when either transmit or receive medium is non idle. During full-duplex operation (RN00[8]=1), crs is asserted only when the receive medium is non-idle.
MII control interface			
31	MDC	I	Management data clock. Clock for the MDIO serial data channel. One MDC transition is also required to complete a device reset. Maximum frequency is 2.5 MHz.
30	MDIO	I/O, PU	Management data input/output. Bi-directional serial data channel for PHY communication.
9	MDINT	OD	Management data interrupt.
Physical (twisted pair) interface			
35	X1	I	Xtal in (25 Mhz). 25 MHz reference clock input. When an external 25 MHz crystal is used, this pin must be connected to one of its terminals. If an external 25 MHz oscillator clock source is used, then this pin will be its input pin.



Table 4. Pin functions of the ST802RT1x (continued)

Pin n°	Name	Type	Description
34	X2	O	Xtal out. 25 MHz reference clock output. When an external 25 MHz crystal is used, this pin is connected to one of its terminals. If an external clock source is used, then this pin should be left open.
17 18	TXP TXN	I/O	Differential transmit outputs (100Base-TX, 10Base-T). These pins output directly to the transformer. When MDIX is enabled, they can work as RXP/RXN
25 48	SDP SDN	I	Signal detect (ST802RT1B version only) see Table 5 . Connect a 100 Ω resistor between TXn and VCCA and between TXp and VCCA to achieve the pseudo-emitter coupled logic (PECL) levels for the optical transmitter. The PECL logical low level (PECL _{LOW}) is approximately VCC-1.7 V, the PECL logical middle level (PECL _{MID}) is approximately VCC-1.32 V and the PECL logical high level (PECL _{HIGH}) is approximately VCC-0.9 V. RESERVED in ST802RT1A the pins must be grounded through a 1.2 kΩ resistor
15 14	RXP RXN	I/O	Differential receive inputs (100Base-TX, 10Base-T). These pins directly output to the transformer. When MDIX is enabled they can work as TXP/TXN
21	IREF	O	Reference resistor/DC regulator output. Reference resistor connecting pin for reference current, directly connect a 5.25 kΩ ± 1% resistor to V _{SS} .
28	LED_LINK	O, PU	Link LED. In Mode 1 and Mode 2 this pin indicates the status of the link. The LED is ON when the link is good.
27	LED_SPEED	O, PU	Speed LED. This pin is driven on continually when 10Mb/s or 100Mb/s network operating speed is detected. (All modes -> ON: 100Mb/s, OFF: 10Mb/s)
26	LED_ACT	O, PU	Activity/collision LED. This pin is driven on continually when a full-duplex configuration is detected. This pin is driven on at a 20 Hz blinking frequency when a collision status is detected in the half-duplex configuration. (Mode 2 -> BLINK: activity - Mode 1 -> ON: full-duplex, BLINK: collision)
29	RESET	I	Reset (active-low). This input must be held low for a minimum of 1 ms to reset the ST802RT1x. During power-up, the ST802RT1x is reset regardless of the state of this pin. Reset is not complete before 1 ms plus an MDC transition.
9	PWRDWN	I, PU, OD	Power-down. This pin is an active low input in this mode and should be asserted low to put the device in a power-down mode. During power-down mode, TXP/TXN outputs and all LED outputs are 3-stated, and the MII interface is isolated. The power-down functionality is achievable by software by asserting bit 11 of register RN00.
10, 11	RESERVED	PD	(No connection) - Should be pulled low for normal operation through an external resistor of 2.2 kΩ
Digital power pins			
32	OVDD	Supply	IO ring power supply (3.3 V)
36, 41	DVDD	Supply	Digital power (3.3 V)
12, 33, 47	GND	Ground	Digital ground
Analog power pins			
4, 13, 22, 24	VCCA	Supply	Analog power supply

Table 4. Pin functions of the ST802RT1x (continued)

Pin n°	Name	Type	Description
3, 16, 19, 20, 23	GNDA	Ground	Analog ground
Strap pins			
<p>The ST802RT1x uses many of the functional pins as strap options. The values of these pins are sampled during reset hardware or power-up and used to strap the device into specific modes of operation.</p> <p>The ST802RT1x provides simple strap options to automatically configure some device modes with no device register configuration necessary. All strap pins have a weak internal pull-up or pull-down. If the default strap value is needed to be changed, they should not be connected directly to V_{CC} or GND and an external 2.2 kΩ resistor should be used.</p> <p>The software reset and the power down through the PD pin cannot be used to change the strap configuration</p>			
1	LPBK_EN	S, PD	Loop-back enable
38 8	MII_CFG0 MII_CFG1	S, PD	<p>MII Mode Select: This strapping option pair determines the operating mode of the MAC Data Interface. Default operation (No pull-ups) enables normal MII mode of operation. Strapping mii_cfg0 high causes the device to be in RMII mode of operation, determined by the status of the mii_cfg1 strap. Since the pins include internal pull-downs, the default values are 0.</p> <p>See Table 6 for details and configurations</p>
28 27 26	AN_EN AN_0 AN_1	S, PU	<p>Auto-negotiation enable: When high, this enables auto-negotiation with the capability set by the an_0 and an_1 pins. When low, this puts the part into Forced Mode with the capability set by the an_0 and an_1 pins.</p> <p>an_0 / an_1: These input pins control the forced or advertised operating mode of the ST802RT1x according to Table 7. The value on these pins is set by connecting the input pins to GND (0) or VCC (1) through 2.2 kΩ resistors. These pins should NEVER be connected directly to GND or V_{CC}.</p> <p>The value set at this input is latched into the ST802RT1x at Hardware-Reset. The float/pull-down statuses of these pins are latched into the basic mode control register and the auto-negotiation advertisement register during hardware-reset.</p> <p>The default is 111 since these pins have internal pull-up (see Table 7).</p>
46 45 44 43 42	PHYADDR0 PHYADDR1 PHYADDR2 PHYADDR3 PHYADDR4	S, PU S, PD	<p>PHY address [4:0]. These pins are used to provide the address which is latched into the internal receive mode control register RN14 (0x14h) after the reset.</p> <p>PHYADDR0 pin has weak internal pull-up resistor.</p> <p>PHYADDR[4:1] pins have weak internal pull-down resistors.</p> <p>An external 2.2 kΩ resistor should be used for pull-up/down the pins</p>

Table 5. Signal detect

SDN	SDP	Mode
Ground	Ground	TX mode
Ground	A positive voltage	Undefined state
Voltage > 0.6 V	Voltage > 0.6 V	Undefined state
PECL _{LOW} (PECL _{MID})	PECL _{LOW}	FX mode asserted, but no data valid on the line
PECL _{HIGH} (PECL _{MID})	PECL _{LOW}	FX mode asserted, but no data valid on the line
PECL _{HIGH}	PECL _{HIGH}	Undefined state
PECL _{LOW} (PECL _{MID})	PECL _{HIGH}	FX mode asserted, link OK, and data valid

Table 6. MII_CFG0, MII_CFG1 configuration

	mii_cfg0	mii_cfg1
MII mode	0	X
RMI mode	1	0
Reserved	1	1

Table 7. Auto-negotiation advertisement register

Forced mode	an_en	an_0	an_1
10M, Half-duplex	0	0	0
10M, Full-duplex	0	0	1
100M, Half-duplex	0	1	0
100M, Full-duplex	0	1	1
Advertised mode	an_en	an_0	an_1
10M, Half/full-duplex	1	0	0
100M, Half/full-duplex	1	0	1
10M, Half-duplex 100M, Half-duplex	1	1	0
10M, Half/Full-duplex 100M, Half/Full-duplex	1	1	1

6 Registers and descriptors description

All of the management data control and status registers in the ST802RT1x's register set are accessed via a Write or Read operation on the serial MDIO port. This access requires a protocol described in the MII management interface section.

6.1 Register list

Table 8. List of registers

Address	Reg. Index	Name	Default value	Register description
00h – 0d	RN00	CNTRL	0x0000	Control register
01h – 1d	RN01	STATS	0x7849	Status register
02h – 2d	RN02	PHYID1	0x0203	PHY identifier register Hi
03h – 3d	RN03	PHYID2	0x8461	PHY identifier register Lo
04h – 4d	RN04	LDADV	0x05E1	Auto-negotiation advertisement register
05h – 5d	RN05	LPADV	0x0000	Auto-negotiation link partner ability register
06h – 6d	RN06	ANEGX	0x0004	Auto-negotiation expansion register
07h – 7d	RN07	LDNPG	0x2001	Auto-negotiation next page transmit register
08h – 8d	RN08	LPNPG	0x0000	Auto-negotiation link partner received next page register
Extended registers				
10h – 16d	RN10	XCNTL	0x1200	RMII-TEST control register
11h – 17d	RN11	XSTAT	0x0000	Receiver configuration information and interrupt status register
12h – 18d	RN12	XRCNT	0x0100	Receiver event interrupts register
13h – 19d	RN13	XCCNT	0x0140	100Base-TX control register
14h – 20d	RN14	XDCNT	0x000A	Receiver mode control register
18h – 24d	RN18	AUXCS	0x0027	Auxiliary control register
19h – 25d	RN19	AUXSS	0x0000	Auxiliary status register
1Bh – 27d	RN1B	AUXM2	0x000A	Auxiliary mode 2 register
1Ch – 28d	RN1C	TSTAT	0x0820	10Base-T error and general status register
1Eh – 30d	RN1E	AMPHY	0x0000	Auxiliary PHY register
Shadow registers				
1Fh - 31d	RN1F	BTEST	0x0000	Shadow Registers enable register
1Bh - 27d	RS1B	AUXS2	0x0000	MISC/status/error/test shadow register

6.2 Register description

Table 9. Abbreviations

Legend	Description
RW	Read/write
RO	Read only
SC	Self-clearing
P	Constant
STRAP	Bit with strap value
LH	Latched high
LL	Latched low

Table 10. RN00 [0d00, 0x00]: Control register

Bit	Bit name	Description	Default	RW type	Type
15	Soft reset	1 -> software reset, reset in process 0 -> normal operation This bit, which is self-clearing, returns 1 until the reset process is complete. After this reset the configuration is not re-strapped.	0	RW	SC
14	Local loop-back	1 -> Loop-back enabled 0 -> Normal operation Local loop-back passes data from transmitting to receiving serial conversion analog logic.	Strap	RW	-
13	Speed selection	1 -> 100 Mb/s 0 -> 10 Mb/s Ignored if auto-negotiation is enabled	Strap	RW	-
12	Auto-negotiation enable	1 -> Auto-negotiation is enabled 0 -> Auto-negotiation is disabled Bits 8 and 13 of this register are ignored if this bit is set high. Not available in FX-mode (auto-negotiation always disabled)	Strap	RW	-
11	Power-down	1 -> Power down 0 -> Normal operation	0	RW	-
10	Isolate	1 -> Isolates the core from the MII, with the exception of the serial management 0 -> Normal operation. When this bit is set to '1', related pad outputs are forced to tri-state, inputs are ignored. MII isolate mode can be activated at initialization by strapping 00000 on physical address.	Strap	RW	-
9	Auto-negotiation restart	1 -> Restarts Auto-negotiation process (ignored if Auto-negotiation is disabled) 0 -> Normal operation	0	RW	SC
8	Duplex mode	1 -> full-duplex operation 0 -> Half-duplex operation Ignored if auto-negotiation is enabled	Strap	RW	-

Table 10. RN00 [0d00, 0x00]: Control register (continued)

Bit	Bit name	Description	Default	RW type	Type
7	Collision test	1 -> Collision test enabled 0 -> Normal operation Active only in loop-back mode (RN00[14]=1)	0	RW	-
6	RESERVED	Not used	0	RO	P
5	RESERVED	Not used	0	RO	P
4	RESERVED	Not used	0	RO	P
3	RESERVED	Not used	0	RO	P
2	RESERVED	Not used	0	RO	P
1	RESERVED	Not used	0	RO	P
0	RESERVED	Not used	0	RO	P

Soft reset: In order to reset the ST802RT1x by software control, a “1” must be written to bit 15 of the control register using a serial management interface write operation. The bit clears itself after the reset process is complete, and does not need to be cleared using a second MII write. Writes to other control register bits have no effect until the reset process is completed, which requires approximately 1 millisecond. Writing a “0” to this bit has no effect. Since this bit is self-clearing, after a few cycles from a write operation, it returns a “0” when read.

Local loop-back: The ST802RT1x may be placed into loop-back mode by writing a “1” to bit 14 of the control register. The loop-back mode may be cleared by writing a “0” to bit 14 of the control register, or by resetting the chip. When this bit is read, it returns a “1” when the chip is in software-controlled loop-back mode; otherwise it returns a “0”.

Speed selection: If auto-negotiation is enabled, this bit has no effect on the speed selection. However, if auto-negotiation is disabled by software control, the operating speed of the ST802RT1x can be forced by writing the appropriate value to bit 13 of the control register. Writing a “1” to this bit forces 100BASETX operation, while writing a “0” forces 10BASE-T operation. When this bit is read, it returns the value of the software-controlled forced speed selection only.

Auto-negotiation enable: Auto-negotiation can be disabled by one of two methods: hardware or software control. If the AN_EN input pin is driven to “0”, auto-negotiation is disabled by hardware control. If bit 12 of the control register is written with a value of “0”, auto-negotiation is disabled by software control. When auto-negotiation is disabled in this manner, writing a “1” to the same bit of the control register re-enables auto-negotiation. If auto-negotiation is disabled in this manner and the chip is reset the auto-negotiation follows the strap configuration. Writing to this bit has no effect when auto-negotiation has been disabled by hardware control. When read, this bit returns the value most recently written to this location, or “1” if it has not been written since the last chip reset.

Power-down: If set to '1', the channel is powered down. If this bit is set for all channels, then the IO pad directions are forced and the device is in power-down state. Refer to [Section 7.9](#) for a more detailed explanation of the power-down operation.

Isolate: The PHY may be isolated from its media independent interface (MII) by writing a “1” to bit 10 of the control register. All MII outputs are tri-stated, except tx_clk, and all MII inputs are ignored. Since the MII management interface is still active, the isolate mode may

be cleared by writing a “0” to bit 10 of the control register, or by resetting the chip. When this bit is read, it returns a “1” when the chip is in isolate mode; otherwise it returns a “0”.

Restart auto-negotiation: Bit 9 of the control register is a self-clearing bit that allows the auto-negotiation process to be restarted, regardless of the current status of the auto-negotiation state machine. In order for this bit to have an effect, auto-negotiation must be enabled. Writing a “1” to this bit restarts the auto-negotiation, while writing a “0” to this bit has no effect. Since the bit is self-clearing after only a few cycles, it always returns a “0” when read.

Full-duplex: By default, the ST802RT1x powers up in half-duplex mode. The chip can be forced into full-duplex mode by writing a “1” to bit 8 of the control register while auto-negotiation is disabled. Half-duplex mode can be resumed by writing a “0” to bit 8 of the control register, or by resetting the chip.

Collision test: The COL pin may be tested during loop-back by activating the collision test mode. While in this mode, asserting TXEN causes the COL output to go high within 512 bit times. De-asserting TXEN causes the COL output to go low within 4 bit times. Writing a “1” to bit 7 of the control register enables the collision test mode. Writing a “0” to this bit or resetting the chip disables the collision test mode. When this bit is read, it returns a “1” when the collision test mode has been enabled; otherwise it returns a “0”. This bit should only be set while in loop-back test mode.

Reserved bits: Write ignored, read as 0.

Table 11. RN01 [0d01, 0x01]: Status register

Bit	Bit name	Description	Default	RW type	Type
15	100BASE-T4 ABILITY	0 -> PHY not able to perform 100BASE-T4 Fixed to 0	0	RO	P
14	100BASE-X Full Duplex	1 -> PHY able to perform full-duplex 100BASE-X Fixed to 1, internally not used	1	RO	P
13	100BASE-X Half Duplex	1 -> PHY able to perform half-duplex 100BASE-X Fixed to 1	1	RO	P
12	10BASE-T Full Duplex	1 -> PHY able to perform full-duplex 10BASE-T Fixed to 1, internally not used	1	RO	P
11	10BASE-T Half Duplex	1 -> PHY able to perform half-duplex 10BASE-T Fixed to 1	1	RO	P
10	RESERVED	Not used	0	RO	P
9	RESERVED	Not used	0	RO	P
8	RESERVED	Not used	0	RO	P
7	RESERVED	Not used	0	RO	P
6	MF Preamble Suppression	1 -> Accepts management frames with preamble suppressed 0 -> Doesn't accept management frames without preamble Controlled by RN14 [1].	1	RO	-
5	Auto-Negotiation complete	1 -> Auto-negotiation process completed, registers 4, 5, 6 are now valid 0 -> Auto-negotiation process not completed Active only if auto-negotiation is enabled, else 0	0	RO	-
4	Remote Fault	1 -> Remote fault condition detected 0 -> No remote fault condition detected Set when link partner signals a remote fault condition (RN05 - bit 13) or a far-end-fault indicator was asserted. Latched, so the occurrence of a remote fault causes the remote fault bit to become set and remain set until it is cleared (by register read, if no more fault is present).	0	RO	LH
3	Auto-Negotiation Ability	1 -> PHY is able to perform auto-negotiation Fixed to 1	1	RO	P
2	Link Status	1 -> Link is valid and established (either for 10 and 100 Mb/s) 0 -> Link is down This bit is cleared at link failure and set after a register read if a valid link is established	0	RO	LL
1	Jabber Detect	1 -> Jabber condition detected: transmission exceeded max number of bytes 0 -> No jabber condition detected. Set at jabber condition detection, cleared only after register read (if no more jabber condition is present). Working on 10Base-T only. Fixed to 0 in 100Base-X modes	0	RO	LH
0	Extended Capability	1 -> extended register capabilities Fixed to 1	1	RO	P

Reserved bits: Ignore ST802RT1x output when these bits are read.

Preamble suppression: This bit is a read-only bit and can be set by bit 1 of the RN14 register. When read as a logic “1”, the ST802RT1x is able to accept MII management frames with or without the standard preamble pattern. When preamble suppression is enabled (RN14[1]=1), only 2 preamble bits are required between successive management commands, instead of the normal 32.

Auto-negotiation complete: Bit 5 of the status register returns a “1” if the auto-negotiation process has been completed, and the contents of registers 4, 5, and 6 are valid.

Link status: The ST802RT1x returns a “1” on bit 2 of the status register when the link state machine is in link pass, indicating that a valid link has been established. Otherwise, it returns a “0”. When a link failure occurs after the link pass state has been entered, the link status bit is latched at “0” and remains so until the bit is read. After the bit is read, it becomes “1” if the link pass state has been entered again.

Jabber detect: 10BASE-T operation only. The ST802RT1x returns a “1” on bit 1 of the status register if a jabber condition has been detected. After the bit is read, or if the chip is reset, it reverts to “0”.

Extended register ability: Because the ST802RT1x supports extended register capability, this read-only bit is always “1”. The ST802RT1x extended registers with their bit functions are described in later sections of this document.

The PHY identifier registers #1 and #2 consist of a sum of the organizationally unique identifier (OUI), the vendor's model number and the model revision number. ST's IEEE assigned OUI is 0x0080E1.

Table 12. RN02 [0d02, 0x02]: PHY identifier register Hi

Bit	Bit name	Description	Default	RW type	Type
15:0	OUI MSBs	Organizationally unique identifier (OUI), bits 3..18 OUI bits 1 and 2 are fixed to 0 by standard; ST OUI = 0080E1	0203h	RO	P

Table 13. RN03 [0d03, 0x03]: PHY identifier register Lo

Bit	Bit name	Description	Default	RW type	Type
15:10	OUI LSBs	Organizationally unique identifier (OUI), bits 19..24	100001b	RO	P
9:4	MODEL NUMBER	Manufacturer's model number	000110b	RO	P
3:0	REVISION NUMBER	Allows identification of the revision of the device via software reading of the register	0001b	RO	P

Table 14. RN04 [0d04, 0x04]: Auto-negotiation advertisement register

Bit	Bit name	Description	Default	RW type	Type
15	Next Page	1 -> Next page transfer supported 0 -> Next page transfer not supported	0	RW	-
14	RESERVED	---	0		P
13	Remote Fault	1 -> Advertises that this device has detected a remote fault during auto-negotiation 0 -> No remote fault detected.	0	RW	-
12	RESERVED	---	0		-
11	Asymmetric Pause (full-duplex)	1 -> Asymmetric pause supported (MAC level) 0 -> No MAC based full-duplex flow control.	0	RW	-
10	Pause (full-duplex)	1 -> Symmetric pause supported (MAC level) 0 -> No MAC based full-duplex flow control.	1	RW	-
9	100BASE-T4	0 -> 100BASE-T4 not supported	0	RW	-
8	100BASE-TX full duplex	1 -> 100BASE-TX Full-duplex is supported by the local device 0 -> 100BASE-TX Full-duplex is not supported	Strap	RW	-
7	100BASE-TX	1 -> 100BASE-TX is supported by the local device 0 -> 100BASE-TX is not supported	Strap	RW	-
6	10BASE-T full duplex	1 -> 10BASE-T Full-duplex is supported by the local device 0 -> 10BASE-T Full-duplex is not supported	Strap	RW	-
5	10BASE-T	1 -> 10BASE-T is supported by the local device 0 -> 10BASE-T is not supported	Strap	RW	-
4:0	Selector	00001 -> IEEE802.3u	00001b	RW	-

Next page: The ST802RT1x supports next page capability.

Reserved: Ignore output when read.

Remote fault: Writing a “1” to bit 13 of the advertisement register causes a remote fault indicator to be sent to the link partner during auto-negotiation. Writing a “0” to this bit or resetting the chip clears the remote fault transmission bit. This bit returns the value last written to it, or else “0” if no write has been completed since the last chip reset.

Asymmetric pause: write '1' if asymmetric pause is supported by MAC when full-duplex link is available. 1 = Advertise that the DTE (MAC) has implemented both the optional MAC control sub layer and the pause function as specified in clause 31 and annex 31B of 802.3u. 0 = No MAC based full-duplex flow control.

Pause: The use of this bit is independent of the negotiated data rate, medium, or link technology. The setting of this bit indicates the availability of additional DTE capability when full-duplex operation is in use. This bit is used by one MAC to communicate symmetric pause capability to its link partner, and has no effect on PHY operation.

Advertisement bits: Bits 9:5 of the advertisement register allow the user to customize the ability information transmitted to the link partner. The default value for each bit reflects the abilities of the ST802RT1x. By writing a “1” to any of the bits, the corresponding ability is transmitted to the link partner. Writing a “0” to any bit causes the corresponding ability to be

suppressed from transmission. Resetting the chip restores the default bit values. Reading the register returns the values last written to the corresponding bits, or else the default values if no write has been completed since the last chip reset. Even though bit 9 (advertise 100BASE-T4) is writable, it should never be set since the ST802RT1x does not support T4 operation.

Advertised selector: Bits 4:0 of the advertisement register contain the fixed value “00001”, indicating that the chip belongs to the 802.3 class of PHY transceivers

Table 15. RN05 [0d05, 0x05]: Auto-negotiation link partner ability register

Bit	Bit name	Description	Default	RW type	Type
15	LP Next Page	1 -> Link partner desires next page transfer 0 -> Link partner does not desire next page transfer	0	RO	-
14	LP Acknowledge	1 -> Link partner acknowledges reception of the ability data word 0 -> Acknowledge not yet received	0	RO	-
13	LP Remote Fault	1 -> Remote fault indicated by link partner 0 -> No remote fault indicated by link partner	0	RO	-
12	RESERVED	--	0	RO	-
11	Asymmetric Pause (full-duplex)	1 -> LP supports asymmetric pause (MAC level: clause 31, annex 31B of 802.3u) 0 -> LP has no MAC-based full-duplex flow control.	0	RO	-
10	LP pause (full-duplex)	1 -> LP supports symmetric pause (MAC level: clause 31, annex 31B of 802.3u) 0 -> LP has no MAC-based full-duplex flow control.	0	RO	-
9	100BASE-T4	1 -> LP supports 100BASE-T4 0 -> LP does not support 100BASE-T4	0	RO	-
8	100BASE-TX full duplex	1 -> LP supports 100BASE-TX full-duplex 0 -> LP does not support 100BASE-TX full-duplex	0	RO	-
7	100BASE-TX	1 -> LP supports 100BASE-TX 0 -> LP does not support 100BASE-TX	0	RO	-
6	10BASE-T full duplex	1 -> LP supports 10BASE-T full-duplex 0 -> LP does not support 10BASE-T full-duplex	0	RO	-
5	10BASE-T	1 -> LP supports 10BASE-T 0 -> LP does not support 10BASE-T	0	RO	-
4:0	LP selector field	LP's binary encoded protocol selector	00000b	RO	-

LP next page: Bit 15 of the link partner ability register returns a value of “1” when the link partner implements the next page function and has next page information that it wants to transmit.

LP ack: Bit 14 of the link partner ability register is used by auto-negotiation to indicate that a device has successfully received its link partner's link code word.

LP remote fault: Bit 13 of the link partner ability register returns a value of “1” when the link partner signals that a remote fault has occurred. The ST802RT1x simply copies the value to this register and does not act upon it.

Reserved: Ignore when read.

LP pause: Indicates that the link partner pause bit is set.

LP selector field: Bits 4:0 of the link partner ability register reflect the value of the Link partner's selector field. These bits are cleared any time auto-negotiation is restarted or the chip is reset.

Advertisement bits: Bits 9: 5 of the link partner ability register reflect the abilities of the Link partner. A "1" on any of these bits indicates that the link partner is capable of performing the corresponding mode of operation. Bits 9:5 are cleared any time auto-negotiation is restarted or the ST802RT1x is reset.

Table 16. RN06 [0d06, 0x06]: Auto-negotiation expansion register

Bit	Bit name	Description	Default	RW type	Type
15:5	RESERVED	--	00000000000	RO	P
4	Parallel Detection Fault	1 -> A fault has been detected via the parallel detection function (updated on read) 0 -> A fault has not been detected	0	RO	LH
3	Link Partner Next Page Able	1 -> LP is next-page able 0 -> LP does not support next pages	0	RO	-
2	Next Page Able	1 -> Local device is next-page able Fixed to 1	1	RO	P
1	Page Received	1 -> Link code word received (updated on read) 0 -> Link code word not yet received	0	RO	LH
0	Link Partner Auto-Negotiation Able	1 -> LP supports auto-negotiation (updated on read) 0 -> LP does not support auto-negotiation	0	RO	LH

Reserved: Ignore when read.

Parallel detection fault: Bit 4 of the auto-negotiation expansion register is a read-only bit that gets latched high when a parallel detection fault occurs in the auto-negotiation state machine. For further details, please consult the IEEE standard. The bit is reset to "0" after the register is read, or when the chip is reset.

LP next page able: Bit 3 of the auto-negotiation expansion register returns a "1" when the link partner has next page capabilities. It has the same value as bit 15 of the link partner ability register.

Page received: Bit 1 of the auto-negotiation expansion register is latched high when a new link code word is received from the link partner, checked, and acknowledged. It remains high until the chip is reset.

LP auto-negotiation able: Bit 0 of the auto-negotiation expansion register returns a "1" when the link partner is known to have auto-negotiation capability. Before any auto-negotiation information is exchanged, or if the link partner does not comply with IEEE auto-negotiation, the bit returns a value of "0".

Table 17. RN07 [0d07, 0x07]: Auto-negotiation next page transmit register

Bit	Bit name	Description	Default	RW type	Type
15	Next Page	1 -> additional next page(s) will follow 0 -> last page	0	RW	-
14	RESERVED	--	0	RW	-
13	Message Page	1 -> Message page transmitting 0 -> Unformatted page transmitting	1	RW	-
12	Acknowledge 2	1 -> Local device will comply with message received 0 -> Local device cannot comply with message	0	RW	-
11	Toggle	1 -> Previous transmitted LCW toggle was 0 0 -> Previous transmitted LCW toggle was 1 Updated by auto-negotiation state machines	0	RO	-
10:0	Message / Unformatted Code Field	It can be a message code (annex 28C, IEEE 802.3u) or an unformatted code, according to value set in RN07[13]	00000000 001b	RW	-

Next page: Indicates whether this is the last next page to be transmitted.

Msg page: Differentiates a message page from an unformatted page.

Ack2: Indicates that a device has the ability to comply with the message.

Toggle: Used by the arbitration function to ensure synchronization with the link partner during next page exchange.

Message code field: An eleven-bit wide field, encoding 2048 possible messages.

Unformatted code field: An 11-bit wide field, which may contain an arbitrary value.

Table 18. RN08 [0d08, 0x08]: Auto-negotiation link partner received next page register

Bit	Bit name	Description	Default	RW type	Type
15	Next Page	1 -> LP desires next page transfer 0 -> LP has no more Next Pages	0	RO	-
14	Acknowledge	1 -> LP acknowledges reception of the ability data word 0 -> Not acknowledged	0	RO	-
13	Message Page	1 -> LP message page transmitting 0 -> LP unformatted page transmitting	0	RO	-
12	Acknowledge 2	1 -> LP will comply with message received 0 -> LP cannot comply with message	0	RO	-
11	Toggle	1 -> Previous transmitted LP LCW toggle was 0 0 -> Previous transmitted LP LCW toggle was 1	0	RO	-
10:0	Message / Unformatted Code Field	It can be a message code (annex 28C, IEEE 802.3u) or an unformatted code, according to value set in RN08[13]	00000000 0000b	RO	-

Next page: Indicates whether this is the last next page.

Msg page: Differentiates a message page from an unformatted page.

Ack2: Indicates that link partner has the ability to comply with the message.

Toggle: Used by the arbitration function to ensure synchronization with the link partner during next page exchange.

Message code field: An 11-bit wide field, encoding 2048 possible messages.

Unformatted code field: An 11-bit wide field, which may contain an arbitrary value.

Table 19. RN10 [0d16, 0x10]: RMII-TEST control register

Bit	Bit name	Description	Default	RW type	Type
15:14	RESERVED	---	000b	RO	-
13	RESERVED	---	000b	RW	-
12:11	RESERVED	---	10b	RO	-
10	RESERVED	---	0b	RW	-
9	MII Enable	1 -> MII enabled 0 -> MII disabled, RMII enabled [see bit 10]	Strap	RW	-
8:6	RESERVED	---	000b	RW	-
5	FEF Enable	1 -> Far end fault enabled (only if auto-negotiation is disabled) 0 -> Far end fault not enabled	0	RW	-
4:3	RESERVED	---	00b	RO	-
2	FIFO-Extended	1 -> Extended FIFO mechanism for RMII enabled 0 -> Normal operation This bit extends elasticity buffer size in RMII interface	0	RW	-
1	RMII_OOBS	1 -> Out-of-band signaling enabled 0 -> Normal operation To transfer no-TX/RX information (i.e. speed, link, duplex mode) when TX_EN/CRS_DV are de-asserted (RMII 1.2)	0	RW	-
0	RESERVED	---	0	RW	-

Table 20. RN11 [0d17, 0x11]: Receiver configuration information and interrupt status register

Bit	Bit name	Description	Default	RW type	Type
15:11	RESERVED	---	00000b	RO	P
10	FX_MODE	1 -> FX mode set 0 -> FX mode not set If set to '1', auto-negotiation and scrambling is disabled. This bit can be set through an opportune hardware topology in ST802RT1B	0	RO	-
9	Speed	1 -> 100 Mb/s mode 0 -> 10 Mb/s mode This bit holds a valid value only if a link is already established	0	RO	-
8	Duplex	1 -> Full-duplex mode enabled 0 -> Half-duplex mode enabled This bit holds a valid value only if a link is already established	0	RO	-
7	Pause	1 -> Pause is enabled 0 -> Pause is disabled Pause is active only after auto-negotiation completion, if both devices; support symmetric pause (RN04[10], RN05[10])	0	RO	-
6	Auto neg interrupt	1 -> "Auto-negotiation completed" interrupt is pending 0 -> Auto-negotiation not yet completed Interrupt enabled by RN12[6]	0	RO	LH
5	Remote fault interrupt	1 -> "Remote fault condition" interrupt is pending 0 -> No remote fault condition detected Interrupt enabled by RN12[5]	0	RO	LH
4	Link down interrupt	1 -> "link status changed to fail" interrupt is pending 0 -> no link status changes Interrupt enabled by RN12[4]	0	RO	LH
3	Auto-Negotiation Link Code Word Received	1 -> "acknowledge match" interrupt is pending 0 -> no link code word received Interrupt enabled by RN12[3]	0	RO	LH
2	Link down interrupt	1 -> "Parallel Detection fault" interrupt is pending 0 -> No Parallel Detection faults Interrupt enabled by RN12[2]	0	RO	LH
1	Auto neg page received	1 -> "Auto-negotiation page received" interrupt is pending 0 -> no auto-negotiation page received Interrupt enabled by RN12[1]	0	RO	LH
0	RX_FULL	1 -> "receive error buffer full" interrupt is pending (64k packet errors) 0 -> less than 64k error packets received Interrupt enabled by RN12[0]. Related counter is cleared after read	0	RO	LH

Table 21. RN12 [0d18, 0x12]: Receiver event interrupts register

Bit	Bit name	Description	Default	RW Type	Type
15:9	RESERVED	NOT USED	0000000b	RO	P
8	INT_OE_N	INTERRUPT OUTPUT ENABLE: 1 -> PWRDWN/MDINT is a power-down input 0 -> PWRDWN/MDINT is an interrupt output	1	RW	-
7	INT_EN	INTERRUPT ENABLE: 1 -> Event interrupts enabled 0 -> Event interrupts disabled	0	RW	-
6	AN_CMPL_EN	"AUTO-NEGOTIATION COMPLETED" INTERRUPT ENABLE: 1 -> Interrupt enabled 0 -> Interrupt disabled	0	RW	-
5	REMFLT_DET_EN	"REMOTE FAULT" INTERRUPT ENABLE: 1 -> Interrupt enabled 0 -> Interrupt disabled	0	RW	-
4	LK_DWN_EN	"LINK FAIL" INTERRUPT ENABLE: 1 -> Interrupt enabled 0 -> Interrupt disabled	0	RW	-
3	AN_ACK_DET_EN	"AUTO-NEGOTIATION LCW RECEIVED" INTERRUPT ENABLE: 1 -> Interrupt enabled 0 -> Interrupt disabled	0	RW	-
2	PD_FLT_EN	"PARALLEL DETECTION FAULT" INTERRUPT ENABLE: 1 -> Interrupt enabled 0 -> Interrupt disabled	0	RW	-
1	PG_RCVD_EN	"AUTO-NEGOTIATION PAGE RECEIVED" INTERRUPT ENABLE: 1 -> Interrupt enabled 0 -> Interrupt disabled	0	RW	-
0	RX_FULL_EN	"RECEIVE ERROR COUNTER FULL" INTERRUPT ENABLE: 1 -> Interrupt enabled 0 -> Interrupt disabled	0	RW	-

Table 22. RN13 [0d19, 0x13]: 100Base-TX control register

Bit	Bit name	Description	Default	RW Type	Type
15:14	RESERVED	--	00b	RO	P
13	Disable RX err counter	1 -> RX error counter disabled 0 -> Normal operation	0	RW	-
12	Auto Neg Complete	1 -> Auto-negotiation complete 0 -> Auto-negotiation not completed	0	RO	-
11:9	RESERVED	--	000b	RW	-
8	Enable DC rest (Baseline wander)	1 -> Baseline wander enabled (DC restoration enabled) 0 -> Baseline wander disabled	1	RW	-
7	Enable NRZI to NRZ	1 -> nrz<->nrzi conversion enabled 0 -> nrz<->nrzi conversion disabled	1	RW	-
6	RESERVED	--	1	RW	-
5	Transmit Isolation	1 -> Isolates MII and TX+/- 0 -> Normal operation	0	RW	-
4:2	CMode	000 -> Auto-negotiation running 001 -> 10Base-T half-duplex 010 -> 100Base-TX half-duplex 011 -> Not used 100 -> Not used 101 -> 10Base-T full-duplex 110 -> 100Base-TX full-duplex 111 -> Transmit isolation	000b	RO	-
1	MLT3 Disable	1 -> MLT3 encoder and decoder disabled 0 -> MLT3 encoder and decoder enabled	0	RW	-
0	Scrambler / Descrambler Disable	1 -> scrambler and descrambler disabled 0 -> scrambler and descrambler enabled Scrambling-descrambling are always disabled if operating in FX mode	0	RW	-

Table 23. RN14 [0d20, 0x14]: Receiver mode control register

Bit	Bit name	Description	Default	RW Type	Type
15:12	RESERVED	--	0000b	RO	P
11	RESERVED	--	0	RW	-
10:8	RESERVED	--	000b	RO	P
7:3	PHY ADDR	Physical address for MDIO management	Strap	RW	-
2	RESERVED	--	0	RO	P
1	Preamble suppression	1 -> Accepts management frames with preamble suppressed 0 -> Doesn't accept management frames without preamble	1	RW	-
0	RESERVED	--	0	RO	P

Table 24. RN18 [0d24, 0x18]: Auxiliary control register

Bit	Bit name	Description	Default	RW Type	Type
15	Jabber disable	1 -> Disables jabber detection (10BaseT) 0 -> Normal operation	0	RW	-
14	RESERVED	--	0	RW	-
13:8	RESERVED	--	000000b	RO	P
7:5	RESERVED	--	001b	RW	-
4	MDIO Power Saving	1 -> Stops MDC clock when MDIO interface is idle 0 -> Normal operation	0	RW	-
3:0	RESERVED	--	0111b	RO	-

Jabber disable: 10BASE-T operation only. Bit 15 of the auxiliary control register allows the user to disable the jabber detect function, defined in the IEEE standard. This function shuts off the transmitter when a transmission request has exceeded a maximum time limit. By writing a “1” to bit 15 of the auxiliary control register, the jabber detect function is disabled. Writing a “0” to this bit or resetting the chip restores normal operation. Reading this bit returns the value of jabber detect disable.

MDIO power saving: to reduce power consumption set this bit to '1'

Table 25. RN19 [0d25, 0x19]: Auxiliary status register

Bit	Bit name	Description	Default	RW Type	Type
15	Auto-Negotiation complete	1 -> Auto-negotiation process completed 0 -> Auto-negotiation process not completed Active only if auto-negotiation is enabled, else 0. Same as RN01[5]	0	RO	-
14	Auto-negotiation ack	1 -> Auto-negotiation completed ack state 0 -> Auto-negotiation did not complete ack state	0	RO	LH
13	Auto-negotiation detect	1 -> Auto-negotiation entered ack state (ack match completed) 0 -> Acknowledge match not completed	0	RO	LH
12	LP auto-negotiation ability	1 -> Auto-negotiation in ability detect state 0 -> Auto-negotiation not in ability detect state	0	RO	LH
11	Auto-negotiation pause	1 -> Pause is enabled 0 -> Pause is disabled Pause is active only after auto-negotiation completion, if both devices support symmetric pause (RN04[10], RN05[10])	0	RO	-
10:8	Auto-negotiation HCD	Auto-negotiation highest common denominator: 000 -> No common denominator 001 -> 10Base-T half-duplex 010 -> 10Base-T full-duplex 011 -> 100Base-TX half-duplex 101 -> 100Base-TX full-duplex	000b	RO	-

Table 25. RN19 [0d25, 0x19]: Auxiliary status register (continued)

Bit	Bit name	Description	Default	RW Type	Type
7	Parallel Detection Fault	1 -> A fault has been detected via the parallel detection function (updated on read) 0 -> A fault has not been detected	0	RO	LH
6	Remote Fault	1 -> Remote fault condition detected 0 -> No remote fault condition detected Set when link partner signaled a remote fault condition (RN05 - bit 13) or a far-end-fault indicator was asserted. Latched, so the occurrence of a remote fault causes the remote fault bit to become set and remain set until it is cleared (by register read, if no more fault is present).	0	RO	LH
5	Page Received	1 -> Link code word received (updated on read) 0 -> LCW not yet received	0	RO	LH
4	Link Partner Auto-Negotiation Able	1 -> LP supports auto-negotiation (updated on read) 0 -> LP does not support auto-negotiation	0	RO	-
3	SP100 indicate	1 -> Speed is 100 Mb/s 0 -> Speed is 10 Mb/s Set by auto-negotiation 100BASE-TX link control	0	RO	-
2	Link Status	1 -> Link is up (10–100 Mb/s) 0 -> Link is down This bit is cleared at link failure and set after a register read if a valid link is established	0	RO	LL
1	Auto-negotiation enable	1 -> Auto-negotiation enabled 0 -> Auto-negotiation disabled Set by RN00[12], if RN11[10] is 0 (not FX-mode)	0	RO	-
0	Jabber Detect	1 -> Jabber condition detected 0 -> No jabber condition detected. Set at jabber condition detection, cleared only after register read (if no more jabber condition is present). Fixed to 0 in 100Base-X modes. Same as RN01[1]	0	RO	LH

Table 26. RN1B [0d27, 0x1B]: Auxiliary mode 2 register

Bit	Bit name	Description	Default	RW Type	Type
15:12	RESERVED	--	0000b	RO	-
11:10	RESERVED	--	00b	RW	-
9	LED Mode	1 -> led_link pad: ON for link_up, BLINK for activity led_speed pad: ON for 100 Mb, OFF for 10 Mb led_act pad: ON for full-duplex, BLINK for collision 0 -> led_link pad: ON for link_up led_speed pad: ON for 100 Mb, OFF for 10 Mb led_act pad: BLINK for activity	0	RW	-
8	RESERVED	---	0	RO	P
7	Block 10Base-T echo	1 -> Disables 10Base-T echo data on RX_DV 0 -> Normal operation	0	RW	-
6:4	RESERVED	---	000b	RW	-
3	MI_SQE_DIS	0 -> Forces signal quality error generation (10Base-T, half-duplex) 1 -> Normal operation	1	RW	-
2:1	RESERVED	---	01b	RW	-
0	RESERVED	---	0	RO	P

Block 10BaseT echo: Default 0. When enabled during 10BASE-T half-duplex transmit operation, the TXEN signal does not echo onto the RXDV pin. The TXEN echoes onto the CRS pin, and the CRS de-assertion directly follows the TXEN de-assertion.

SQE disable: Default 0. When asserted, it disables SQE pulses when operating in 10BASE-T half-duplex mode.

Table 27. RN1C [0d28, 0x1C]: 10Base-T error and general status register

Bit	Bit name	Description	Default	RW Type	Type
15:14	RESERVED	---	00	RW	-
13	MDIX Status	1 -> MDI-X configuration used 0 -> MDI configuration used	0	RO	-
12	MDIX Swap	1 -> MDIX force (if not in fx_mode) 0 -> Normal operation	0	RW	-
11	MDIX Disable	1 -> MDIX auto-detection and negotiation disabled 0 -> MDI-MDIX auto-detection enabled	1	RW	-
10	RESERVED	---	0	RO	P(LH)
9	Jabber detect	1 -> Jabber condition detected 0 -> No jabber condition detected. Set at jabber condition detection, cleared only after register read (if no more jabber condition is present). Fixed to 0 in 100Base-X modes. Same as RN01[1] and RN19[0]	0	RO	LH
8	Polarity Changed	1 -> Polarity changed event 0 -> No polarity changes	0	RO	-
7:0	RESERVED	---	001001 11b	RO	-

MDIX status: This bit indicates whether MDI or MDIX is in use.

MDIX swap: Setting this bit forces the device to MDIX. When this bit is 0, the MDIX status is determined by auto-negotiation if auto-MDIX is enabled.

MDIX disable: Setting this bit disables auto-detection and negotiation of MDIX. Clearing this bit enables auto-MDIX.

Table 28. RN1E [0d30, 0x1E]: Auxiliary PHY register

Bit	Bit name	Description	Default	RW Type	Type
15	HCD 100base-Tx FDX	1 -> AN 100Base-TX full-duplex selected 0 -> AN 100Base-TX full-duplex not selected	0	RO	-
14	HCD 100BASE-T4	1 -> AN 100Base-T4 selected (not supported) 0 -> AN 100Base-T4 not selected Internally fixed to '0'	0	RO	-
13	HCD 100base-TX HDX	1 -> AN 100Base-TX half-duplex selected 0 -> AN 100Base-TX half-duplex not selected	0	RO	-
12	HCD 10BASE-T FDX	1 -> AN 10Base-T full-duplex selected 0 -> AN 10Base-T full-duplex not selected	0	RO	-
11	HCD 10BASE-T HDX	1 -> AN 10Base-T half-duplex selected 0 -> AN 10Base-T half-duplex not selected	0	RO	-
10:9	RESERVED	---	00b	RO	P
8	Auto-Negotiation restart	1 -> Restarts auto-negotiation process (ignored if auto-negotiation is disabled) 0 -> Normal operation Self-cleared after 21MHz-clock periods (auto-negotiation is started). Same as RN00_CNTRL[9]	0	RW	SC
7	Auto-Negotiation complete	1 -> Auto-negotiation process completed 0 -> Auto-negotiation process not completed Active only if auto-negotiation is enabled, else 0 Same as RN19_AUXSS[15] and RN01_STATS[5]	0	RO	-
6	Auto-Negotiation Acknowledge Complete	1 -> AN ack completed 0 -> AN ack not yet completed Held high until tx is disabled or auto-negotiation is restarted	0	RO	-
5	Auto-Negotiation Acknowledge	1 -> AN first ack received 0 -> AN first ack not yet received Held high until tx is disabled or auto-negotiation is restarted	0	RO	-
4	Auto-Negotiation Ability	1 -> Auto-negotiation in ability detect state 0 -> Auto-negotiation not in ability detect state Same as RN19_AUXSS[12]	0	RO	-
3	Super Isolate	SUPER ISOLATE: 1 -> MII and RX isolated 0 -> Normal operation All MII inputs are ignored, all MII outputs are tri-stated, no link pulses generated. Same effect setting to 1 both RN00[10] and RN13[5].	0	RW	-
2	RESERVED	---	0	RO	P
1:0	RESERVED	---	00b	RW	-

HCD 10BaseT: Bits 15:11 of the auxiliary PHY register are five read-only bits that report the highest common denominator (HCD) result of the auto-negotiation process. Immediately upon entering the link pass state after each reset or restart auto-negotiation, only one of these five bits will be a “1”. The link pass state is identified by a “1” in bit 6 or 7 of this register. The HCD bits are reset to “0” every time auto-negotiation is restarted or the ST802RT1x is reset. Note that for their intended application, these bits uniquely identify the HCD only after the first link pass after reset or restart of auto-negotiation. On later link fault and subsequent re-negotiations, if the ability of the link partner is different, more than one of the above bits may be active. These bits are only set for full auto-negotiation handshake, and not for parallel detection of forced speed modes. Note that bit 14, HCD_T4, is never set in the ST802RT1x.

Reserved: Ignore when read.

Restart auto-negotiation: A self-clearing bit that allows the auto-negotiation process to be restarted, regardless of the current status of the state machine. For this bit to work, auto-negotiation must be enabled. Writing a “1” to this bit restarts auto-negotiation. Since the bit is self-clearing, it always returns a “0” when read. The operation of this bit is identical to bit 9 of the control register.

Auto-negotiation complete: This read-only bit returns a “1” after the auto-negotiation process has been completed. It remains “1” until the auto-negotiation is restarted, a link fault occurs, or the chip is reset. If auto-negotiation is disabled, or the process is still in progress, the bit returns a “0”.

Auto-negotiation ack: This read-only bit is set to “1” when the arbitrator state machine exits the acknowledged detect state. It remains high until the auto-negotiation process is restarted, or the ST802RT1x is reset.

Auto-negotiation ability: This read-only bit returns a “1” when the auto-negotiation state machine is in the ability detect state. It enters this state a specified time period after the auto-negotiation process begins, and exits after the first FLP burst or link pulses are detected from the link partner. This bit returns a “0” any time the auto-negotiation state machine is not in the ability detect state.

Super isolate: Writing a “1” to this bit places the ST802RT1x into the super isolate mode. Similar to the isolate mode, all MII inputs are ignored, and all MII outputs are tri-stated. Additionally, all link pulses are suppressed. This allows the ST802RT1x to coexist with another PHY on the same adapter card, with only one being activated at any time.

Table 29. RN1F [0d31, 0x1F]: Shadow registers enable register

Bit	Bit name	Description	Default	RW Type	Type
15:8	RESERVED	NOT USED	0000000b	RO	
7	Shadow Registers Enable	1 -> Shadow registers enabled 0 -> Normal operation When this bit is set, registers at addresses 1B are masked by correspondent shadow registers Self-clearing functionality added to this bit when shadow registers are enabled	0	RW	SC
6:0	RESERVED	Not used	0000000b	RO	



Table 30. RS1B [0d27, 0x1B]: Misc status/error/test shadow register

Bit	Bit name	Description	Default	RW Type	Type
15	MLT3 Detect	1 -> MLT3 enabled with no errors (TX100 only) 0 -> MLT3 disabled or MLT3 error	0	RO	-
14:12	TX Cable Length	TX100 CABLE LENGTH (m): 000 <= 20 001 = 20-40 010 = 40-60 011 = 60-80 100 =80-100 101 =100-120 110 = 120-140 111 =>140	000b	RO	
11	RESERVED	NOT USED	0	RW	-
10	LED Test control	1 -> LED frequencies up by 8192 times 0 -> Normal operation	0	RW	-
9	Descrambler Locked	1 -> Descrambler locked on RX stream 0 -> Descrambler not locked	0	RO	-
8	False Carrier Detect	1 -> False carrier detected 0 -> No false carrier detected	0	RO	LH
7	Bad ESD Detect	1 -> End-of-stream delimiter missing detected 0 -> No end-of-stream delimiter detected	0	RO	LH
6	RX Error Detect	1 -> RX error detected (100BASE-X) 0 -> No RX errors detected	0	RO	LH
5	RESERVED	Not used	0	RO	LH
4	Lock Error Detect	1 -> Lock error detected 0 -> No lock errors detected	0	RO	LH
3	MLT3 Error Detect	1 -> MLT3 error detected 0 -> No MLT3 errors detected	0	RO	LH
2:0	RESERVED	Not used	0	RW	-

7 Device operation

The ST802RT1x includes a 10/100 Base-T Ethernet transceiver with MII, RMII interfaces for data and control from/to the station management entity (STE). The ST802RT1x integrates the IEEE802.3u compliant functions of PCS (physical coding sub-layer), PMA (physical medium attachment), and PMD (physical medium dependent) for 100Base-TX, and the IEEE802.3 compliant functions of manchester encoding/decoding and transceiver for 10Base-T. IEEE standard auto-negotiation functions are also supported. Media independent interface (MII) is a 4-bit interface transferring 10 Mbit data using a 2.5 MHz clock and 100 Mbit data using a 25 MHz clock. RMII (reduced media independent interface) is a low pin count alternative capable of transferring 10 and 100 Mbit dibits data using a 50 MHz reference clock. All the functions and operation schemes are described in the sections that follow.

7.1 100Base-TX transmit operation

In 100Base-TX transmission, the device provides the transmission functions of PCS, PMA, and PMD for encoding of MII data nibbles to five-bit code-groups (4B/5B), scrambling, serialization of scrambled code-groups, converting the serial NRZ code into NRZI code, converting the NRZI code into MLT3 code, and then driving the MLT3 code into the category 5 unshielded twisted pair cable through an isolation transformer with a turn ratio of 1.414:1.

Data code-groups encoder: In normal MII mode application, the device receives nibble type 4B data via the TxD0~3 inputs of the MII. These inputs are sampled by the device on the rising edge of Tx-clk and passed to the 4B/5B encoder to generate the 5B code-group used by 100Base-TX.

Idle code-groups: In order to establish and maintain the clock synchronization, the device needs to keep transmitting signals to the medium. The device generates idle code-groups for transmission when there is no data sent by the MAC.

Start-of-stream delimiter-SSD (/J/K/): In a transmission stream, the first 16 nibbles are SFD (1 byte) and MAC preamble (7 byte). In order to let partner delineate the boundary of a data transmission sequence and to authenticate carrier events, the device replaces the first 2 nibbles of the MAC preamble with /J/K/ code-groups.

End-of-stream delimiter-ESD (/T/R/): In order to indicate the termination of the normal data transmissions, the device inserts 2 nibbles of /T/R/ code-group after the last nibble of FCS.

Scrambling: all the encoded data (including the idle, SSD, and ESD code-groups) is passed to the data scrambler to reduce the EMI and spread the power spectrum using a 10-bit scrambler seed loaded at the beginning.

Parallel-to-serial data conversion, NRZ to NRZI, NRZI to MLT3: after being scrambled, the transmission data with 5B type at 25 MHz is converted to serial bit stream at 125 MHz by the parallel-to-serial function. After being serialized, the transmission serial bit stream is further converted from NRZ to NRZI format. This NRZI conversion function can be bypassed if bit 7 of the RN13 register is cleared as 0. After being NRZI converted, the NRZI bit stream is passed through the MLT3 encoder to generate the TP-PMD specified MLT3 code. The MLT3 code lowers the frequency and reduces the energy of the transmission signal in the UTP cable and also allows the system to meet the FCC specification for EMI.

Wave-shaper and media signal driver: In order to reduce the energy of the harmonic frequency of transmission signals, the device provides the wave-shaper prior to the line driver to smooth out, but maintain symmetric, the rising/falling edge of the transmission signals. The wave-shaped signals include the 100Base-TX and 10Base-T, and both are passed to the same media signal driver.

7.2 100Base-TX receive operation

In the 100Base-TX receiving operation, the device provides the receiving functions of the PMD, PMA, and PCS for receiving incoming data signals through a category 5 UTP cable and an isolation transformer with a 1.414:1 turn ratio. It includes the adaptive equalizer and baseline wander, data conversions of MLT3 to NRZI, NRZI to NRZ and serial-to-parallel, the PLL for clock and data recovery, the de-scrambler, and the decoder for 5B/4B.

Adaptive equalizer and baseline wander: the high speed signals over the unshielded (or shielded) twisted pair cable induces amplitude attenuation and phase shifting. Furthermore, these effects depend on the signal frequency, cable type, cable length and the connectors of the cabling. So a reliable adaptive equalizer and baseline wander to compensate for all the amplitude attenuation and phase shifting are necessary. The transceiver provides robust circuits to perform these functions.

MLT3 to NRZI decoder and PLL for data recovery: after receiving the proper MLT3 signals, the device converts the MLT3 to NRZI code for further processing. The compensated NRZI signals at 125 MHz are then passed to the phase lock loop circuits to extract the original data and synchronous clock.

Data conversions of NRZI data to NRZ and serial-to-parallel: after data is recovered, the signals are passed to the NRZI to NRZ converter to generate the 125 MHz serial bit stream. This serial bit stream is packed to parallel 5B type for further processing. The NRZI to NRZ conversion can be bypassed by clearing bit 7 of the RN13 register to 0.

De-scrambling and decoding of 5B/4B: The parallel 5B type data is passed to the descrambler and 5B/4B decoder to extract the original MII nibble data.

Carrier sensing: the carrier sense (CRS) signal is asserted when the ST802RT1x detects any 2 non-contiguous zeros within any 10-bit boundary of the receiving bit stream. CRS is de-asserted when an ESD code-group or idle code-group is detected. In half-duplex mode, CRS is asserted during packet transmission or receive. In full-duplex mode, CRS is asserted only during packet reception.

RMII mode: this uses a reference clock (SCLK) of 50 MHz. 5B code groups are converted to 4-bit nibbles and the data is sent through a FIFO to the RMII receive data pins as dibits. In case of an invalid code group in the data stream, the RXER signal is asserted and the 4 bits of the receive data pins are driven with a specific code signalling the type of error detected. For RMII mode, the CRS and RXDV pins combine their functionality into the RXDV pin (pin 38). The RXDV pin toggles at the end of a frame to indicate that the data is being emptied from the internal FIFOs.

7.3 10Base-T transmit operation

In 10Base-T, the device's TX channel includes the parallel-to-serial converter, NRZ to manchester encoder, link pulse generation, and an internal physical ethernet wire interface (Phy). It also provides collision detection and SQE test for half-duplex application.

RMII mode: Uses a reference clock (SCLK) of 50 MHz. The value on txd[1:0] must be valid such that txd[1:0] may be sampled every 10th cycle yielding the correct frame data. To achieve this, the dibits should be repeated 10 times.

7.4 10Base-T receive operation

The 10Base-T RX channel contains the Phy, SMART squelch circuits, clock recovery circuits, link pulse detector, manchester-to-NRZ decoder and serial-to-parallel converter. manchester decoding is performed on the data stream.

RMII mode: Dibits are repeated 10 times so that any repeated dibit may be sampled on the 10 Mb clock edge.

7.5 Loop-back operation

The ST802RT1x provides an internal loop-back option for both 100Base-TX and 10Base-T operations. Setting bit 14 of the RN00 register to 1 enables the loop-back option. In the loop-back operation, the txp/txn and rxp/rxn lines are isolated from the media. In 100Base-TX internal loop-back operation, the data comes from the transmit output of the NRZ to NRZI converter then loop back to the receive path into the input of NRZI to NRZ converter.

In 10Base-T loop-back operation, the data is sent through the transmit path and loop back from the output of the manchester encoder into the input of phase lock loop circuit of the receive path.

7.6 Full-duplex and half-duplex operation

The ST802RT1x can operate in either full-duplex or half-duplex network applications. In full-duplex, both transmit and receive can be operated simultaneously. In full-duplex mode, the collision (COL) signal is meaningless and carrier sense (CRS) signal is asserted only when the ST802RT1x is receiving.

In half-duplex mode, only transmit or receive can be operated at one time. In half-duplex mode, the collision signal is asserted when the transmit and receive signals collide and the carrier sense asserted during transmission and reception.

7.7 Auto-negotiation operation

The auto-negotiation function is designed to provide the means to exchange information between the ST802RT1x and the network partner to automatically configure both to take maximum advantage of their abilities, and both are setup accordingly. The auto-negotiation function can be controlled through auto-negotiation enable bit 12 of the RN00 register, or the an_en strap pin 27.

Auto-negotiation exchanges information with the network partner using the fast link pulses (FLPs) - a burst of link pulses. FLP's contain 16 bits of signaling information to advertise all supported capabilities, determined by register RN04 (auto-negotiation advertisement register), to the remote partner. Based on this information, they identify their highest common capability by following the priority sequence below:

1. 100Base-TX full-duplex (highest priority)
2. 100Base-TX half-duplex
3. 10Base-T full-duplex
4. 10Base-T half-duplex (lowest priority)

During power-up or reset, if auto-negotiation is found enabled, then FLPs is transmitted and the auto-negotiation function proceeds. Otherwise, the auto-negotiation does not occur until the bit 12 of RN00 register is set to 1. When auto-negotiation is disabled, then the Network Speed and Duplex Mode are selected by programming RN00 register.

7.8 Power-down / interrupt

The power-down and interrupt functions are multiplexed on pin 9 of the device. By default, this pin functions as a power-down input and the interrupt function is disabled. Setting bit 8 (INT_OE_N) of RN12 (0x12h) configures the pin as active low interrupt output.

7.9 Power-down operation

To reduce power consumption, the ST802RT1x is designed with a power-down feature, which can reduce power consumption significantly. Since the power supply of the 100Base-TX and 10Base-T circuits are separated, the ST802RT1x can turn off the circuit of either the 100Base-TX or 10Base-T when the other one is operating. There is also a power-down mode which can be selected by bit 11 in register RN00. During power-down mode, the TXP/TXN outputs and all LED outputs are 3-stated, and the MII interface is isolated. During power-down mode the MII management interface is still available for reading and writing device registers. Power-down mode can be exited by clearing bit 11 of register RN00, or by a hardware or software reset (setting RN00[15]=1). An external control signal can be used to drive the pin PWRDWN/MDINT low, overcoming the weak internal pull-up resistor. Alternatively, the device can be configured to initialize into a power-down state by placing an external pull-down resistor on the PWRDWN/MDINT pin. Since the device still responds to management register access, setting the INT_OE_N in the RN12 register disables the PWRDWN/MDINT input, allowing the device to exit the power-down state.

7.10 Interrupt mechanisms

The interrupt function is controlled via register access. All interrupt sources are disabled by default. Setting bit 7 (INT_EN) of RN12 (0x12h) enables interrupts to be output, based on the interrupt mask set in the lower byte of RN12 (0x12h). The PWRDWN/MDINT pin is asynchronously asserted low when an interrupt condition occurs. The source of the interrupt can be determined by reading the lower byte of RN11 (0x11h). One or more bits in the RN11 is set, denoting all currently pending interrupts.

Example: To generate an interrupt on a change of link status, the steps would be:

Write 0180h to RN12 to set INT_EN and INT_OE_N;

Write 0010h to RN12 to set LK_DWN_EN;

Monitor PWRDWN/MDINT.

When the PWRDWN/MDINT pin asserts low, the user should read the RN11 register to see if the LK_DWN is set, i.e. which source caused the interrupt.

7.11 LED display operation

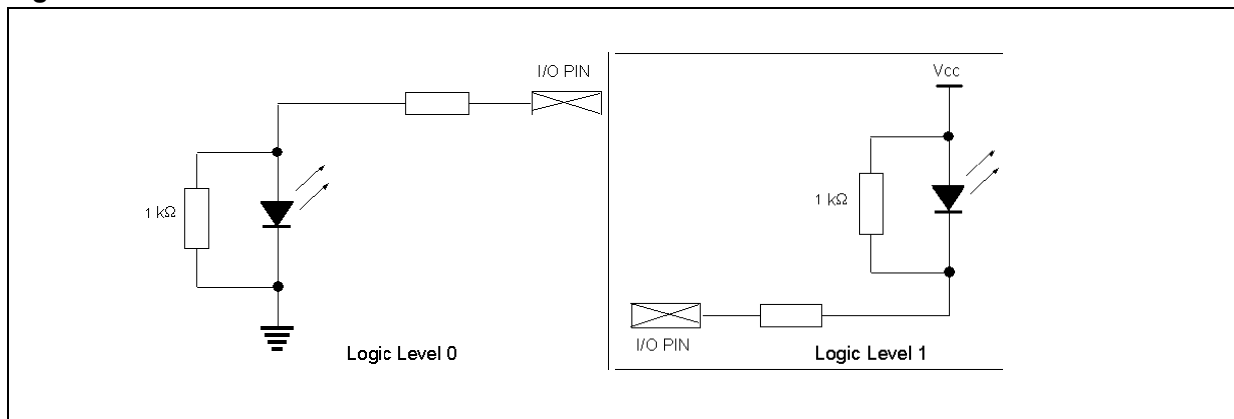
The ST802RT1x provides 3 LED pins. [Table 31](#) contains a detailed description of the operating modes, also described in [Table 4: Pin functions of the ST802RT1x](#).

Table 31. LED configuration

Mode	RN1B[9]	LED link	LED speed	LED act/col
1	1	ON for link-up OFF for no link BLINK for link-up + activity	ON for 100Mb OFF for 10Mb	ON for full-duplex BLINK for collision
2	0	ON for link-up OFF for no link	ON for 100Mb OFF for 10Mb	BLINK for activity

- Link LED: On when 100 M or 10 M link is active. It also blinks at 10 Hz for transmit and receive.
- Speed LED: 100 Mbps(on) or 10 Mbps(off)
- Activity LED: Blinks at 20 Hz when there is a half-duplex activity on the media. It is driven on continuously if full-duplex configuration is detected, or blinks when a collision is detected.

Figure 6. LED connections



7.12 Reset operation

There are two ways to reset the ST802RT1x.

Hardware reset: the ST802RT1x can be reset via the RESET pin (pin 29). The active low reset input signal is required for at least 1 ms, and at least one transition is required on the MDC (pin 31) to ensure proper reset operation.

Software reset: when bit 15 of register RN00 is set to 1, the ST802RT1x resets all the circuits and registers to their default values, then clears bit 15 of RN00 to 0.

Both hardware and software reset operations initialize all registers to their default values. This process includes re-evaluation of all hardware-configurable registers. Logic levels on several I/O pins are detected during the hardware reset period to determine the initial functionality of the ST802RT1x. Some of these pins are used as outputs after the reset operation. Care must be taken to ensure that the configuration setup does not interfere with normal operation. Strap pins multiplexed with LED outputs should be weakly pulled up or weakly pulled down through resistors, as shown in [Figure 6](#).

7.13 Preamble suppression

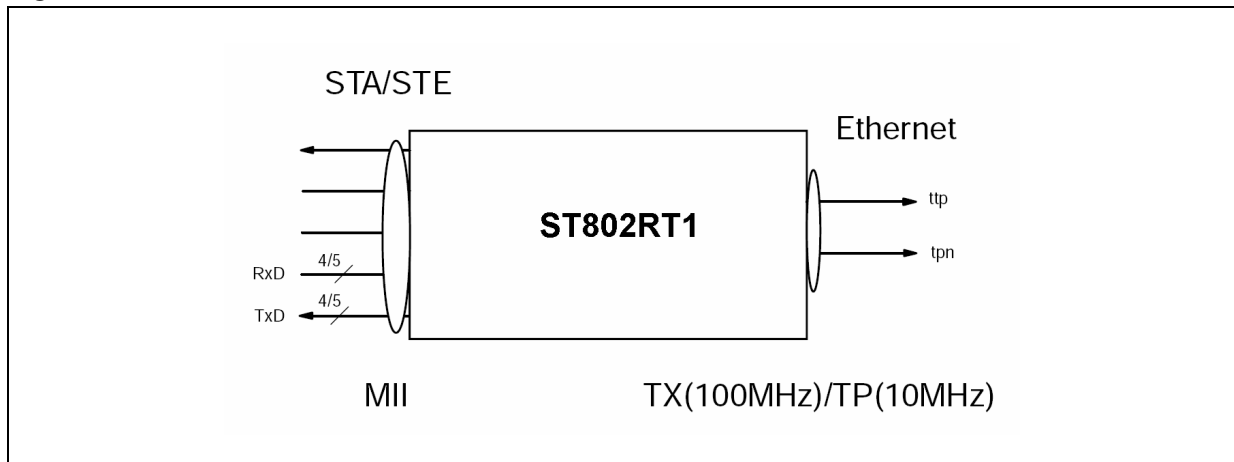
Preamble suppression mode in the ST802RT1x is indicated by a 1 in bit six of the RN01 register and controlled by bit 1 in the RN14 register. If it is determined that all PHY devices in the system support preamble suppression, then a preamble is not necessary for each management transaction. The first transaction following power-up/hardware reset requires 32 bits of preamble. The full 32-bit preamble is not required for each additional transaction. The ST802RT1x responds to management accesses without preamble, but a minimum of one idle bit between management transactions is required as specified in IEEE 802.3u.

7.14 Remote fault

The remote fault function indicates to a link partner that a fault condition has occurred by using the remote fault bit, which is encoded in bit 13 of the link code word. A local device indicates to its link partner that it has found a fault by setting the remote fault bit in the auto-negotiation register to logic one and renegotiating with the link partner. The remote fault bit remains at logic one until successful negotiation with the link code word occurs. The bit then returns to 0. When the message is sent that the remote fault bit is set to logic one, the device sets the remote fault bit in the MII to logic one if the management function is present.

7.15 Transmit isolation

Figure 7. Transmit isolation



Transmit isolation isolates the PHY from the MII and Tx +/- interface and is activated by setting bit 5 of the 100Base-TX control register (RN13[5]). As with isolate mode, all MII inputs are ignored and all MII outputs are tri-stated. Additionally, all link pulses are suppressed.

7.16 Automatic MDI / MDIX feature

The automatic MDI / MDIX feature compensates for using an external crossover cable. With auto-MDIX, the ST802RT1x automatically detects what the other device is and switches the TX & RX pins accordingly. The state machine basically controls the switching of the tdp/tdn and the rdp/rdn signals prior to the auto-negotiation communication. The swapping occurs to allow FLP/NLP to be transmitted and received in the event that the external cable connections have been swapped.

7.17 RMII interface

The reduced media independent interface (RMII) provides a low-cost alternative to the IEEE 802.3u MII interface. It can support 10 and 100 Mbit data rates with a single clock, using independent 2-bit wide transmit and receive paths. A single synchronous reference clock (SCLK pin 32) of 50 MHz is used as a timing reference for all transmitters and receivers. By doubling the clock frequency relative to the MII, four pins are saved in the data path, which uses two transmit data inputs and two receive data outputs instead of four lines for each direction in the MII interface. Since start-of-packet and end-of-packet timing information is preserved across the interface, the MAC is able to derive the COL signal from the receive and transmit data delimiters, saving another pin.

7.18 FX mode operation

Each port of the ST802RT1x may also be configured for 100BASE-FX transmission over fiber optics via a pseudo-ECL (PECL) interface.

In 100Base-Fx mode, scrambling and MLT3-to-binary conversion are bypassed when transmitting, whereas in reception adaptive equalization, binary-to-MLT3 and descrambling are bypassed.

IEEE standard auto-negotiation functions are also supported unless the device operates in 100Base-Fx mode. When operating in 100Base-Fx the device supports FEF (far-end-fault) logic to communicate remote fault detection.

The ST802RT1x provides a pseudo-ECL interface suitable for driving a fiber optic interface. Fiber ports cannot be enabled by auto-negotiation but only either by hardware or through the MDIO interface. When 100BASE FX is enabled, pins SD+ and SD- indicate the signal quality status on the fiber optic link. 100 BASE FX mode is automatically selected whenever a valid differential signal is detected at the SD+ and SD- inputs; when SD+ and SD- are tied low or left unconnected, the respective PHY is forced in base T mode.

The data flow for 100BASE FX is:

Serialized data -> NRZI encoding -> multimode DAC -> PECL format.

To allow the detection of remote fault conditions in 100BASE FX, the IEEE 802.3 standard far-end-fault is implemented as in the IEEE 802.3u standard, Clause 24 (24.3.2.1); by default FEF is on. When FEF is on, a PHY transmits a FEF indication whenever a receive channel failure is detected and also the PHY continuously monitors the receive channel when a valid signal is present. When its link partner is indicating a remote error, the PHY forces its link monitor into the "link fail" state, setting the remote fault bit in the status register (RN01).

In 100BASE-FX mode there is no scrambling function and the data is only NRZI encoded. the multimode DAC drives the PECL levels to an external fiber optic transmitter. When there is no transmission, the device generates "IDLE" symbols.

7.19 FX operation detect circuit

This circuit decodes the information on the status of the optical link. Particularly in the ANSI specification, it is stated that the signal detect indicates the presence of the optical signal with sufficient quality to correctly identify a line state.

Both signals tied to ground -> No FX mode required

SD- > SD+ -> FX mode is asserted but no data valid on the line

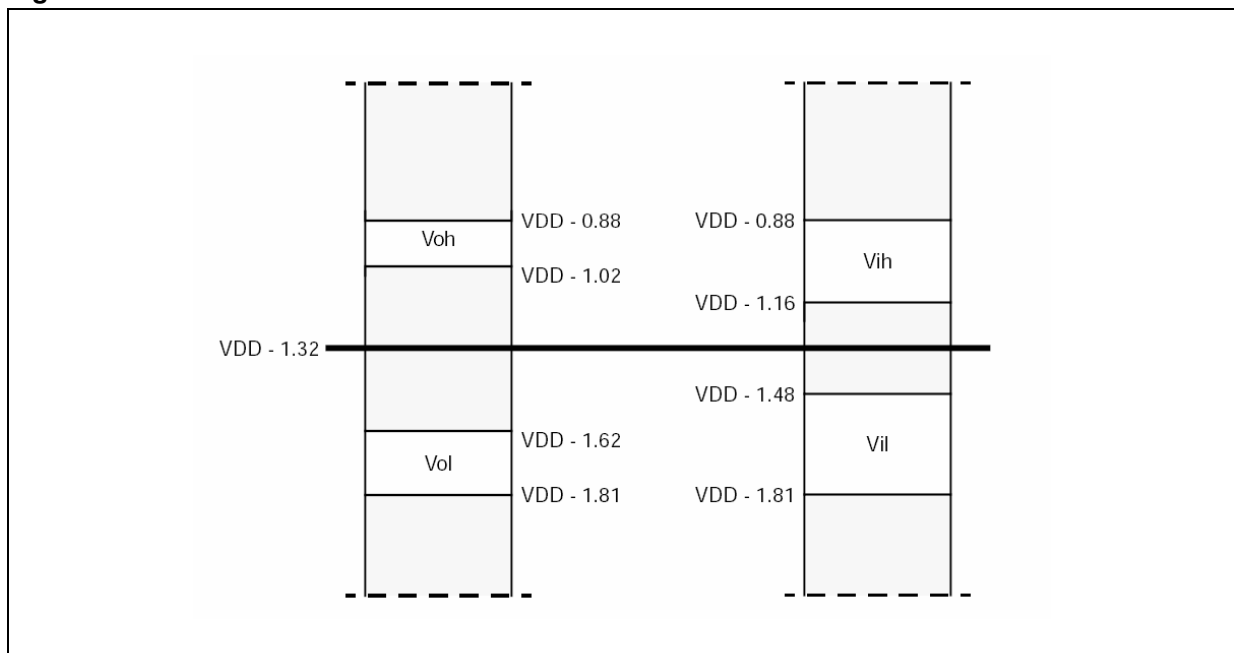
SD+ > SD- -> FX mode asserted. Link OK

These two signals can be either driven by standard CMOS levels or by PECL levels. The data coming from the optical transceiver are PECL signals and need to be converted to CMOS level before being delivered to the data and clock recovery and then to the serial-to-parallel interface to be transmitted to the digital portion.

Table 32. Configuration of signal detect voltage levels

SDn	SDp	Mode
Ground	Ground	TX mode
Ground	Positive voltage	Undefined state
Voltage>0.6	Voltage>0.6	Undefined state
PECL _{LOW} (PECL _{MID})	PECL _{LOW}	FX mode asserted, but no data valid on the line
PECL _{HIGH} (PECL _{MID})	PECL _{LOW}	FX mode asserted, but no data valid on the line
PECL _{HIGH}	PECL _{HIGH}	Undefined state
PECL _{LOW} (PECL _{MID})	PECL _{HIGH}	FX mode asserted, link OK and data valid

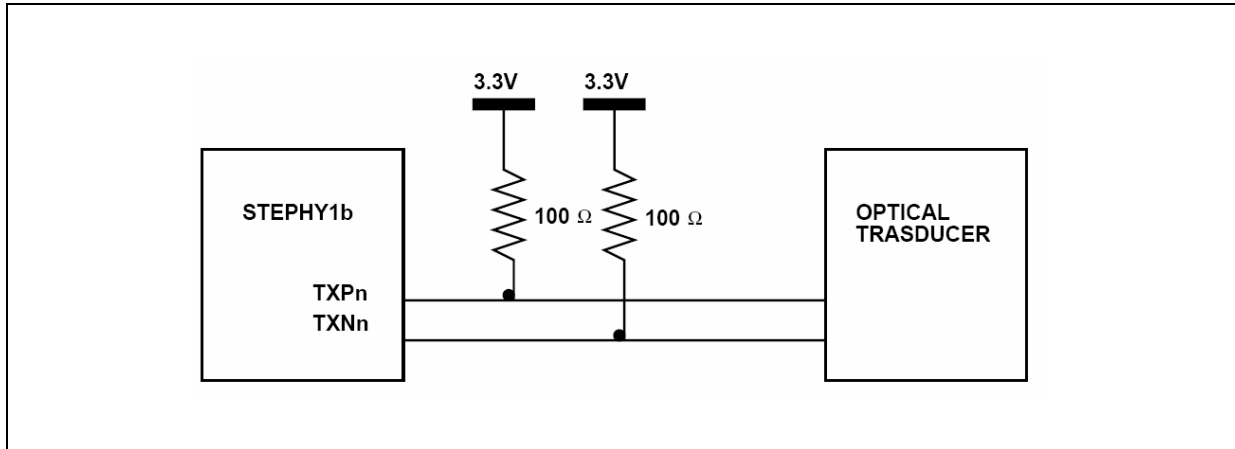
Figure 8. PECL levels



7.20 PECL transmitter

This circuit is designed to acquire the data coming from the parallel-to-serial interface and NRZ-to-NRZI converter, and to transmit it to the optical transceiver. In this case, the data is received by the transmitter in a CMOS format and is transmitted to the optical portion in a PECL format. See [Figure 8](#) for the definition of PECL levels.

Figure 9. Implementation of the PECL TX section



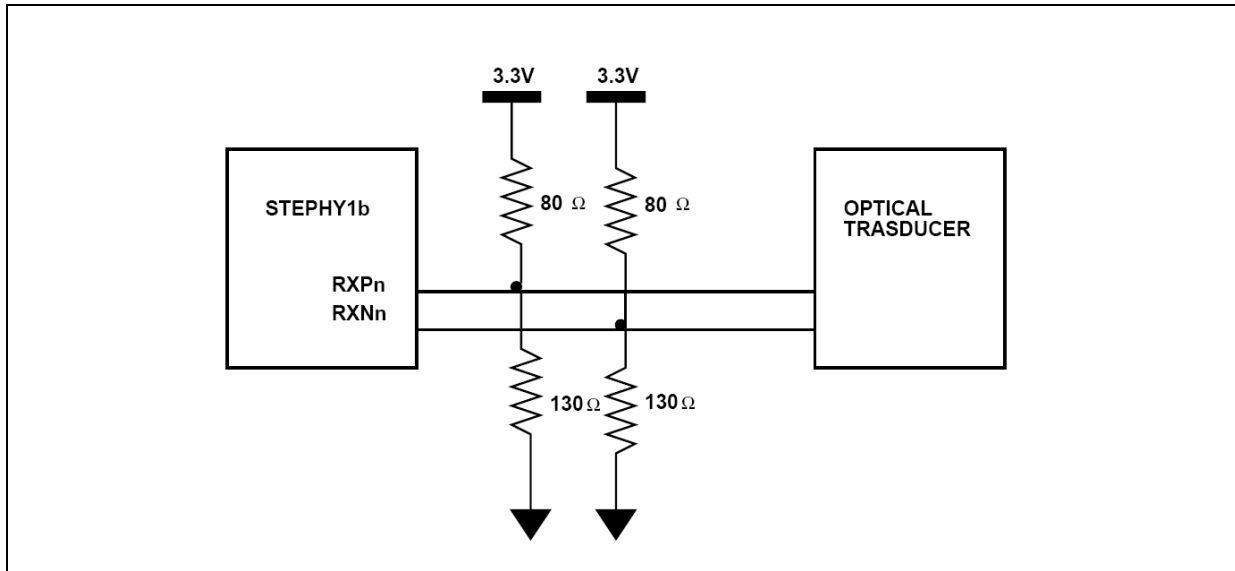
7.21 PECL receiver

The data signals coming from the optical transceiver are in PECL format and need to be converted to CMOS level before being transmitted to the data and clock recovery, and to the digital portion.

The data is sampled by the optical transceiver, but the data stream is related to the clock of the transmitting transceiver, so it needs to be recovered, re-sampled and aligned to the RX clock.

This function and all the timing involved are assumed to be compatible with that currently available for the 100TX (twisted pair), so no modifications are required for this circuit.

Figure 10. Implementation of the PECL RX section



7.22 Far-end-fault

For 100Base-FX mode (which does not support auto-negotiation), the ST802RT1x implements the IEEE 802.3 standard far-end-fault mechanism for the indication and detection of remote error conditions. If the far-end-fault is enabled, a PHY transmits the far-end-fault indication whenever a receive channel failure is detected. Each PHY also continuously monitors the receive channel when a valid signal is present.

When its link partner is indicating a remote error, the PHY forces its link monitor into the link fail state and sets the remote fault bit in the status register. The far-end-fault is on by default in 100BaseFX, off by default in 100Base-TX and 10Base-T modes, and may be controlled by software and reset.

7.23 MII management interface

Internal register access is guaranteed through the MII management interface, as specified in the IEEE 802.3u standard, Clause 22.

This serial interface consists of a Management Data Clock (MDC) pin and a Management Data I/O (MDIO) pin. The MDC pin is always driven by the station management entity (STA) while the MDIO pin can be driven by either the STA or the PHY, depending on the operation in progress. The logic value on the MDIO pin is sampled on the rising edge of the MDC clock signal.

The MDIO pin has an internal pull-up used to keep the line to logic 1 when not driven.

Register read/write operations are performed, sending on the MII Management interface frames in the format shown in [Table 33](#).

Table 33. Management frame format

	PRE	ST	OP	PHYAD	REGAD	TA	DATA	IDLE
READ	1...1	01	10	AAAAA	RRRRR	Z0	D...D	Z
WRITE	1...1	01	01	AAAAA	RRRRR	10	D...D	Z

Both read/write frames start with a preamble (PRE) composed of 32 consecutive logic 1s on the MDIO pin and corresponding 32 clock cycles on the MDC pin. The management frame preamble can be suppressed, as described in [Section 7.13](#).

The preamble is followed by a 2-bit start of frame (ST), consisting of a transition to logic 0 and then back to logic 1, after which the operation code (OP) is transmitted to distinguish between read and write operations.

After the operation code, the PHY address (PHYAD) and register address (REGAD) are sent, each composed of 5 bits which have to be sent MSB first.

The turn-around (TA) is a 2-bit time spacing placed between the register address and the data field inserted to avoid contention during a read transaction. In a write operation, the STA drives a logic 1 during the first bit time and a logic 0 during the second one. In a read operation, both STA and PHY are in high impedance during the first bit time and then the PHY drives 0 during the second one.

The data field contains the 16 bits to write to, or read from, the specified register and is followed by at least one IDLE bit which closes the frame.

8 Electrical specifications and timings

Table 34. Absolute maximum ratings

Parameter	Value	Unit
Supply voltage (V_{CC})	-0.5 to 4	V
Input voltage	-0.5 to $V_{CC} + 0.5$	V
Output voltage	-0.5 to $V_{CC} + 0.5$	V
Storage temperature	-65 to 150	°C
Ambient temperature	-40 to 105	°C
ESD protection	2	kV

Note: Absolute maximum ratings are those values beyond which damage to the device may occur. Functional operation under these conditions is not implied.

Table 35. General DC specification

Symbol	Parameter	Test conditions	Min.	Typ.	Max.	Unit
General DC						
V_{CC}	Supply voltage		3.15	3.3	3.45	V
IDDQA	Quiescent current analog				1.5	mA
IDDQD	Quiescent current digital				4.5	mA
V_{IH}	Input high voltage		1.95			V
V_{IL}	Input low voltage				0.85	V
10Base-T voltage/current characteristics						
Vida10	Input differential accept peak voltage	5MHz – 10MHz	585		3100	mV
Vidr10	Input differential reject peak voltage	5MHz – 10MHz	0		585	mV
Vod10	Output differential peak voltage		2200		2800	mV
Idd10	Digital current consumption	Link active, transmitting 100% receiving 100%		18		mA
IddA10	Analog current consumption	Link active, transmitting 100% receiving 100%		77		mA
100Base-TX voltage/current characteristics						
Vida100	Input differential accept peak voltage		200		1000	mV
Vidr100	Input differential reject peak voltage		0		200	mV
Vod100	Output differential peak voltage		950		1050	mV
Idd100	Digital current consumption	Link active, transmitting 100% receiving 100%		25		mA
IddA100	Analog current consumption	Link active, transmitting 100% receiving 100%		70		mA

Table 35. General DC specification (continued)

Symbol	Parameter	Test conditions	Min.	Typ.	Max.	Unit
XTAL conditions						
t_{X1d}	X1 duty cycle		45	50	55	%
t_{X1f}	X1 frequency			25/50/125		MHz
t_{X1t}	X1 tolerance			50		ppm
t_{X1CL}	X1 load capacitance				18	pF
10Base-T normal link pulse (NLP)						
T_{nps}	NLP start after reset	10 Mbps		16		ms
T_{npw}	NLP width	10 Mbps		100		ns
T_{npc}	NLP period	10 Mbps	8		24	ms
Fast link pulse (FLP) AC timing specification						
	Number of pulses in one burst		17		33	
T_{flpw}	FLP width			100,00		ns
T_{flcpp}	Clock pulse to clock pulse period		111	125	139	μ s
T_{flcpd}	Clock pulse to data pulse period		55,5	62,5	69,5	μ s
T_{flbw}	Burst width			2		ms
T_{flbp}	FLP burst period		8	16	24	ms
T_{rlat}	Receive latency - RXDV asserted after valid data on RXP/RXN	MII- 100 Mb/s		160		ns
T_{tlat}	Transmit latency - data on TXP/TXN after TXEN asserted	MII- 100 Mb/s		130		ns
MII Management Interface AC timing specification						
T_{mihl}	MDC clock high & low time		160			ns
T_{mip}	MDC clock period		400			ns
T_{mis}	MDIO setup time	STA sources MDIO	10			ns
T_{mih}	MDIO hold time	STA sources MDIO	10			ns
T_{midco}	MDIO clock to output delay	PHY sources MDIO	0		300	ns

Figure 11. Normal link pulse timings

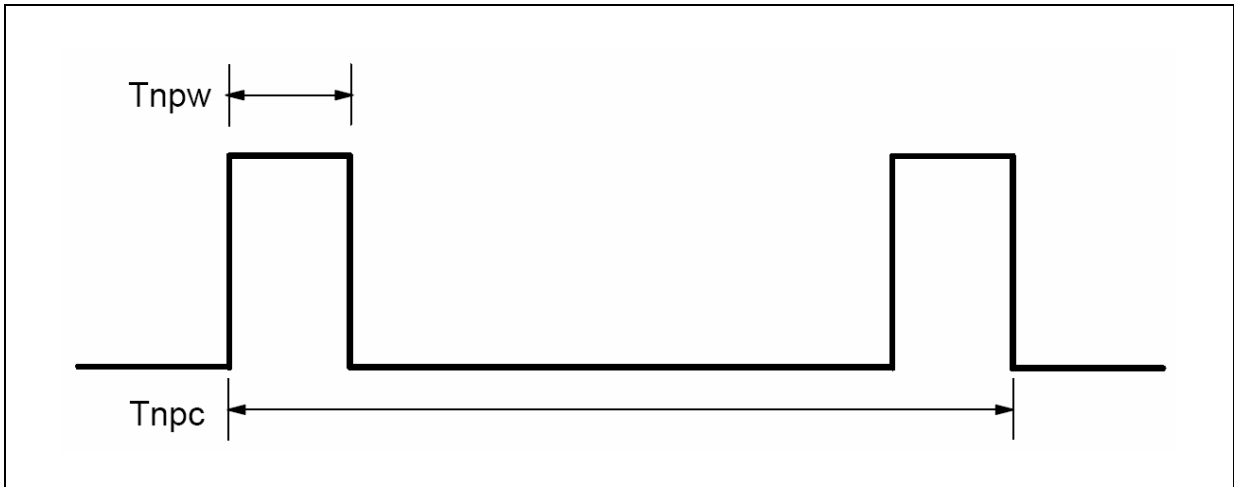


Figure 12. Fast link pulse timing

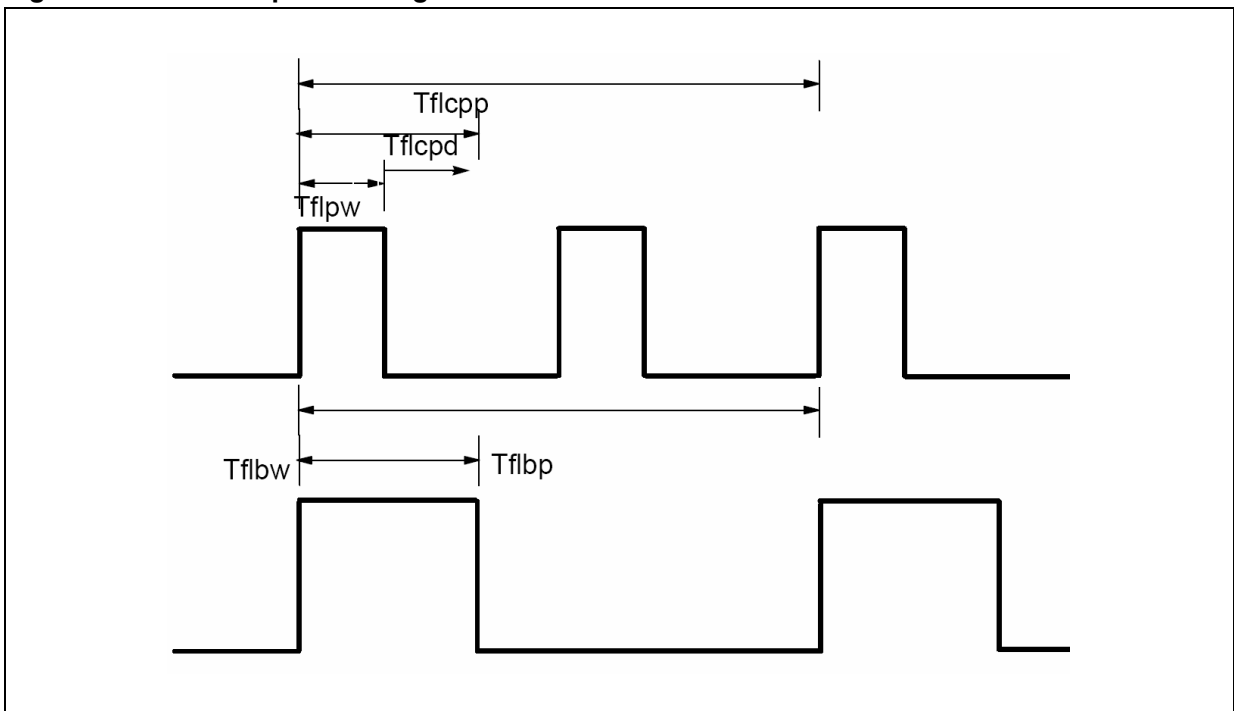
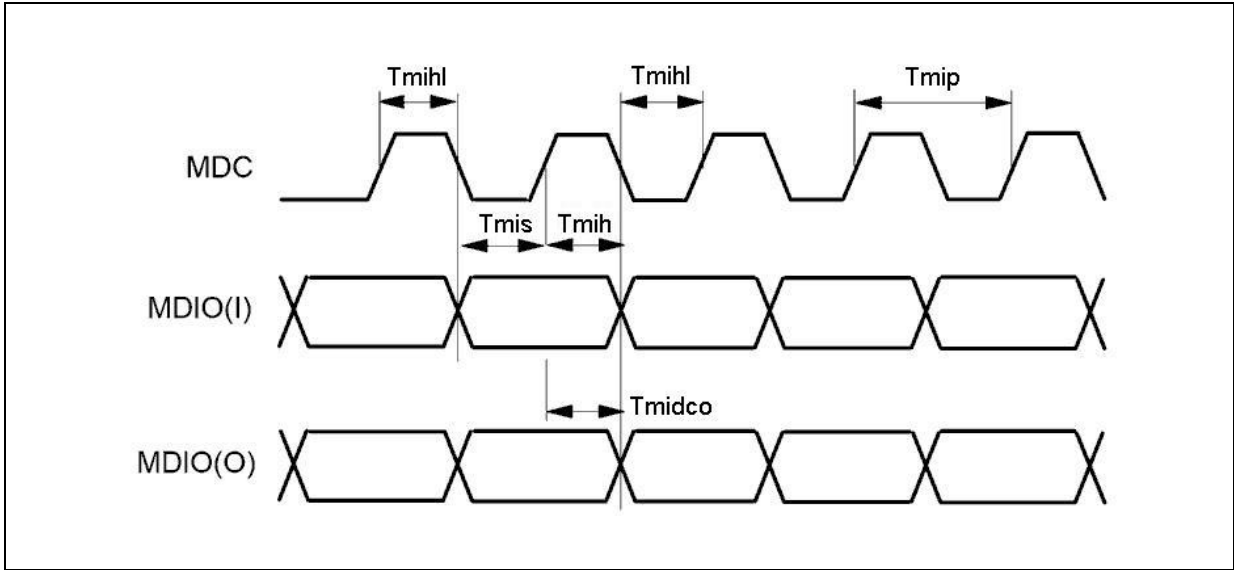


Figure 13. MII management clock timing



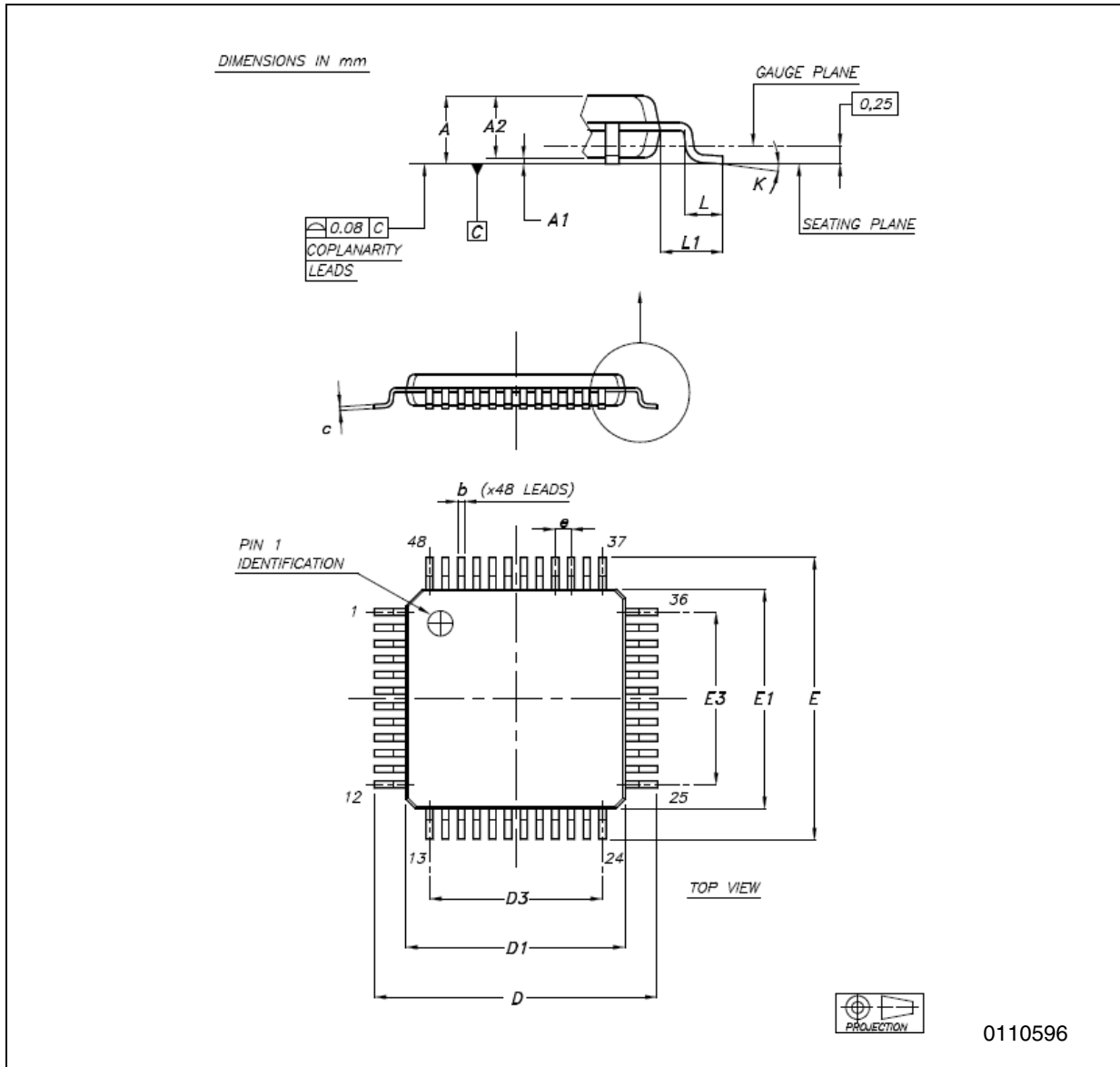
9 Package mechanical data

In order to meet environmental requirements, ST offers these devices in different grades of ECOPACK[®] packages, depending on their level of environmental compliance. ECOPACK[®] specifications, grade definitions and product status are available at: www.st.com. ECOPACK[®] is an ST trademark.

Table 36. LQFP48 mechanical data

Dim.	mm		
	Min.	Typ.	Max.
A			1.60
A1	0.05		0.15
A2	1.35	1.4	1.45
b	0.17	0.22	0.27
c	0.09		0.20
D	8.80	9	9.20
D1	6.80	7	7.20
D3		5.50	
E	8.80	9	9.20
E1	6.80	7	7.20
E3		5.50	
e		0.50	
L	0.45	0.60	0.75
L1		1	
K	0°	3.5°	7°

Figure 14. Dimensions of the LQFP48 package



0110596

10 Revision history

Table 37. Document revision history

Date	Revision	Changes
02-Feb-2010	1	Initial release.

Please Read Carefully:

Information in this document is provided solely in connection with ST products. STMicroelectronics NV and its subsidiaries ("ST") reserve the right to make changes, corrections, modifications or improvements, to this document, and the products and services described herein at any time, without notice.

All ST products are sold pursuant to ST's terms and conditions of sale.

Purchasers are solely responsible for the choice, selection and use of the ST products and services described herein, and ST assumes no liability whatsoever relating to the choice, selection or use of the ST products and services described herein.

No license, express or implied, by estoppel or otherwise, to any intellectual property rights is granted under this document. If any part of this document refers to any third party products or services it shall not be deemed a license grant by ST for the use of such third party products or services, or any intellectual property contained therein or considered as a warranty covering the use in any manner whatsoever of such third party products or services or any intellectual property contained therein.

UNLESS OTHERWISE SET FORTH IN ST'S TERMS AND CONDITIONS OF SALE ST DISCLAIMS ANY EXPRESS OR IMPLIED WARRANTY WITH RESPECT TO THE USE AND/OR SALE OF ST PRODUCTS INCLUDING WITHOUT LIMITATION IMPLIED WARRANTIES OF MERCHANTABILITY, FITNESS FOR A PARTICULAR PURPOSE (AND THEIR EQUIVALENTS UNDER THE LAWS OF ANY JURISDICTION), OR INFRINGEMENT OF ANY PATENT, COPYRIGHT OR OTHER INTELLECTUAL PROPERTY RIGHT.

UNLESS EXPRESSLY APPROVED IN WRITING BY AN AUTHORIZED ST REPRESENTATIVE, ST PRODUCTS ARE NOT RECOMMENDED, AUTHORIZED OR WARRANTED FOR USE IN MILITARY, AIR CRAFT, SPACE, LIFE SAVING, OR LIFE SUSTAINING APPLICATIONS, NOR IN PRODUCTS OR SYSTEMS WHERE FAILURE OR MALFUNCTION MAY RESULT IN PERSONAL INJURY, DEATH, OR SEVERE PROPERTY OR ENVIRONMENTAL DAMAGE. ST PRODUCTS WHICH ARE NOT SPECIFIED AS "AUTOMOTIVE GRADE" MAY ONLY BE USED IN AUTOMOTIVE APPLICATIONS AT USER'S OWN RISK.

Resale of ST products with provisions different from the statements and/or technical features set forth in this document shall immediately void any warranty granted by ST for the ST product or service described herein and shall not create or extend in any manner whatsoever, any liability of ST.

ST and the ST logo are trademarks or registered trademarks of ST in various countries.

Information in this document supersedes and replaces all information previously supplied.

The ST logo is a registered trademark of STMicroelectronics. All other names are the property of their respective owners.

© 2010 STMicroelectronics - All rights reserved

STMicroelectronics group of companies

Australia - Belgium - Brazil - Canada - China - Czech Republic - Finland - France - Germany - Hong Kong - India - Israel - Italy - Japan - Malaysia - Malta - Morocco - Philippines - Singapore - Spain - Sweden - Switzerland - United Kingdom - United States of America

www.st.com